

VALVE INFORMATION				BLADE TIP		
HOUSING	ENDPLATE	ROTOR	MATL	TYPE	MATL	CLEARANCE
MATL 304SS	MATL 304SS	MATL 304SS	FIXED EDGE		304SS	.004-.007

MFG. GEAR MOTOR		MOTOR			
HP	VOLTAGE	ENCLOSURE	CL. & DIV.	FRAME SIZE	RPM
1	TBA	TEFC	STD. EFF.	TBD	1800

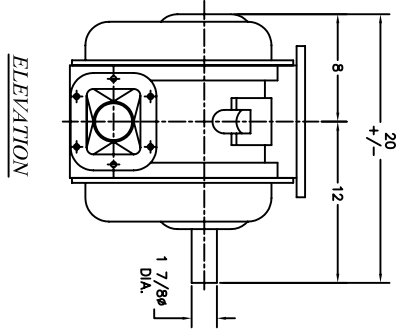
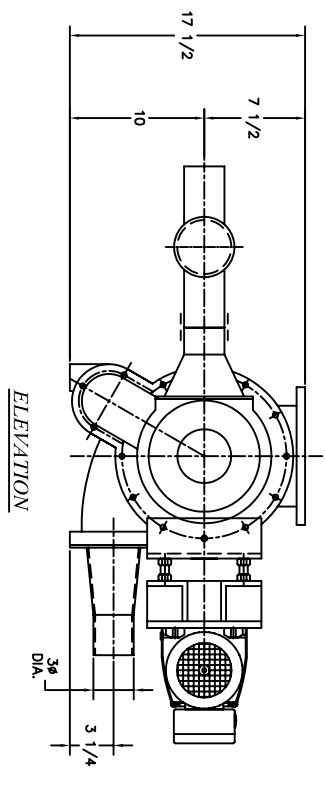
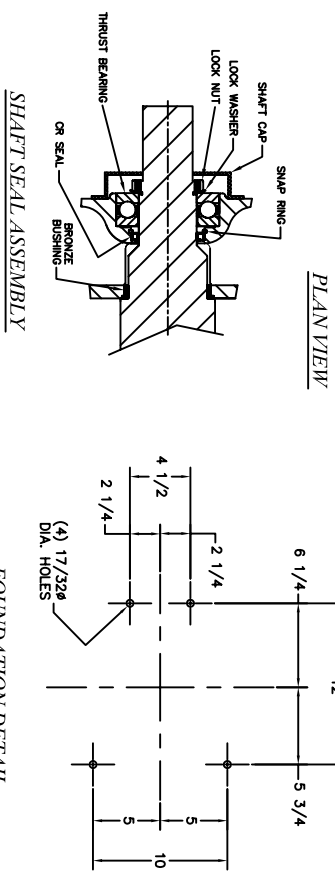
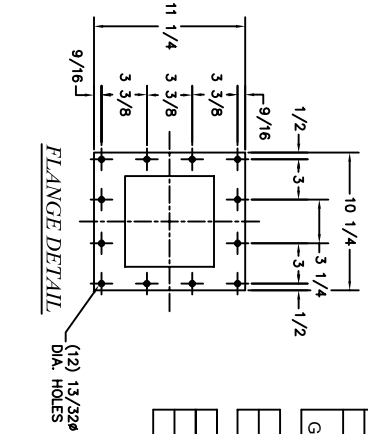
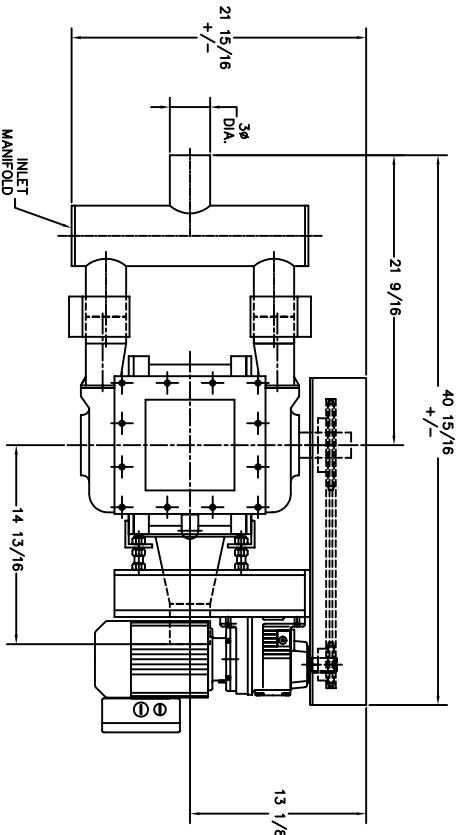
MFG. INLINE GEAR MOTOR		REDUCER	
FRAME	SIZE	FRAME	R.P.M.
TBD	TBD	TBD	APPROX. 45

CHAIN DRIVE				VALVE OPERATING CONDITIONS	
SIZE	BORE	SIZE	BORE	TEMP.	SEALS
60B12	1 1/4 DIA.	60B26	2 3/8 DIA.	AMBIENT	PUSH TYPE

CONVEYING INFORMATION	
PRODUCT HANDLED	TO BE ADVISED
PRODUCT DENSITY	TO BE ADVISED
DISPLACEMENT / REV. 100%	0.32 C.F.R.
VALVE SPEED	20 RPM
CONVEY RATE	TO BE ADVISED

NOTES

- 1) ALL DIMENSIONS IN INCHES
- 2) CONSTRUCTION: CAST 304 STAINLESS STEEL HOUSING AND ENDPLATES (CL. 40, 217 BRINELL), FABRICATED 304 STAINLESS STEEL ROTOR, OPEN END FIXED RELIEVED TIPS (1/8" LAND) CLOSE TOLERANCE. C.C.W. ROTATION LOOKING AT THE DRIVE END.
- 3) BOTTOM FLANGE BOLT PATTERN MATCHES TOP FLANGE BOLT PATTERN
- 4) PAINT: STANDARD METAL PREPARATION, EXTERIOR PRIME AND ONE COAT FINISH ENAMEL - 304SS FINISH, DRIVE GUARD IS HI-VISIBILITY YELLOW, MOTOR/GEAR MOTOR IS MANUFACTURERS STANDARD FINISH.
- 5) SHAFT SEAL ASSEMBLY (SEE DETAIL)
- 6) WEIGHT WITH DRIVE - 2510 lbs.
- 7) OPTIONS:
 - ENDPLATES: CAST 304 STAINLESS STEEL
 - ROTOR: FABRICATED 304SS OPEN END ROTOR
 - ROTOR: FIXED EDGE 304SS ROTOR TIPS
 - HOUSING: CAST 304SS CONSTRUCTION



Copyright 2007, Ancaster Conveying Systems Ltd.
 611 ARGYLE ST. N. CALEDONIA ONTARIO M3M 1M1
 TEL. (905) 765-2004 FAX. (905) 765-4491

ISSUE	DATE	REVISION	BY	SCALE: 1"=12"	DRAWN BY: G.T	CHECKED:	B-2462

ANCASTER CONVEYING SYSTEMS LTD.
 611 ARGYLE ST. N. CALEDONIA ONTARIO M3M 1M1
 TEL. (905) 765-2004 FAX. (905) 765-4491

TITLE: ACS MODEL AF-A ROTARY VALVE, GENERAL ARRANGEMENT
 FOR GENERAL USE ONLY
 P.O. N/A