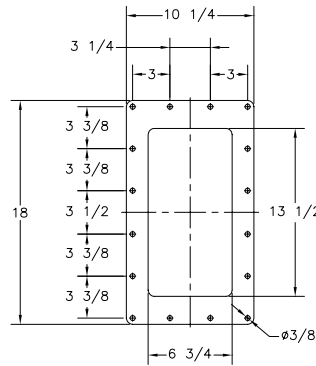
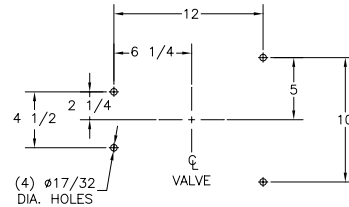


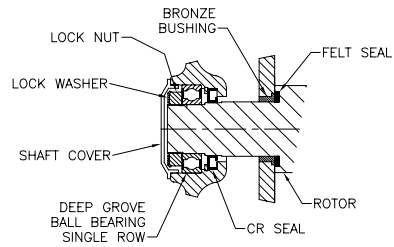
PLAN VIEW



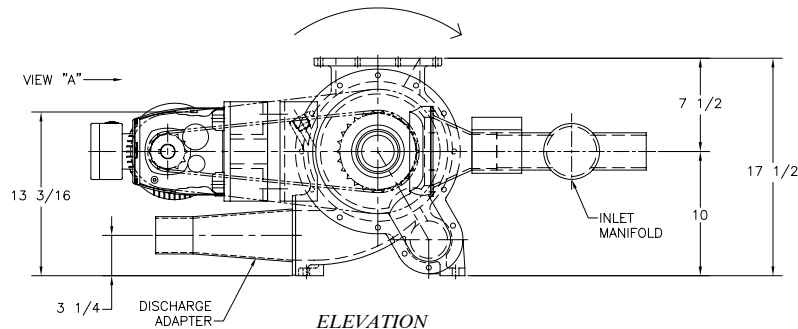
INLET FLANGE DETAILS



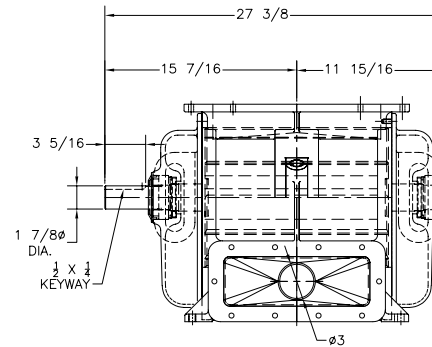
FOUNDATION DETAIL



SHAFT SEAL ASSEMBLY



ELEVATION



VIEW "A"

VALVE INFORMATION					
HOUSING MAT'L	ENDPLATE MAT'L	ROTOR MAT'L	BLADE TIP TYPE	BLADE TIP MAT'L	CLEARANCE
C.I.	C.I.	MILD STEEL	FIXED EDGE	MILD STEEL	.004-.007

MOTOR						
MFG.	H.P.	VOLTAGE	ENCLOSURE	CL. & DIV.	FRAME SIZE	RPM
SEW EURODRIVE R-SERIES	1 1/2	T.B.A.	TEFC	STD. EFF.	DT90S4	1800

REDUCER				
MFG.	FRAME	RATIO	SIZE	R.P.M.
SEW EURODRIVE R-SERIES	R47	36.93	R47DT90S4	47

CHAIN DRIVE				VALVE OPERATING CONDITIONS	
SIZE	BORE	SIZE	BORE	TEMP.	SEALS
60B12	1 1/4 Ø	60B28	1 7/8 Ø	AMBIENT	CR SEAL

CONVEYING INFORMATION	
PRODUCT HANDLED	TO BE ADVISED
PRODUCT DENSITY	TO BE ADVISED
DISPLACEMENT / REV. 100%	.60 C.F.R.
VALVE SPEED	20 RPM
CONVEY RATE	TO BE ADVISED

NOTES

1. ALL DIMENSIONS IN INCHES
2. CONSTRUCTION: CAST GREY IRON HOUSING AND ENDPLATES (CL,40,217 BRINELL) FABRICATED CARBON STEEL ROTOR, OPEN END FIXED WITH RELIEVED TIPS (1/8" LAND) CLOSE TOLERANCE. CLOCKWISE ROTATION LOOKING AT THE DRIVE END.
3. PAINT: STANDARD METAL PREPARATION, EXTERIOR PRIMED AND ONE COAT FINISH ENAMEL - ACS BLUE DRIVE GUARD IS HI-VISIBILITY SAFETY YELLOW, MOTOR/GEARMOTOR IS MANUFACTURES STANDARD FINSH
5. SHAFT SEAL ASSEMBLY (SEE DETAIL)
6. WEIGHT WITH DRIVE PACKAGE 400 LBS.
7. INCLUDED OPTIONS:
 - ENDPLATES: CAST GREY IRON CONSTRUCTION
 - ROTOR: FABRICATED OPEN END MILD STEEL
 - ROTOR: FIXED EDGE ROTOR TIPS - BEVELED
 - HOUSING: CAST GREY IRON CONSTRUCTION
 - HOUSING: 1" NPT HOUSING VENT PORT C/W CAP
 - INLET MANIFOLD: FABRICATED MILD STEEL SCH 40 CONSTRUCTION, SIZE 3" O/D STANDARD
 - DISCHARGE ADAPTER: FABRICATED MILD STEEL, SIZE 3" O/D STANDARD

ANCASTER CONVEYING SYSTEMS LTD.
 611 ARGYLE ST. N CALEDONIA ONTARIO N3W-1M1
 TEL. (905) 765-2004 FAX. (905) 765-4491

TITLE: ACS MODEL AF-B ROTARY VALVE, GENERAL ARRANGEMENT

FOR: GENERAL USE ONLY

P.O: N/A

SCALE: 1" = 12" DRAWN BY: G.T
 DATE: MAR/02/09 CHECKED:

B-2349

ISSUE	DATE	REVISION	BY

Proprietary Information
 This drawing is the confidential property of Ancaster Conveying Systems Ltd. and is intended for use only in accordance with the reproduction, use or disclosure, in whole or in part, of the design or details contained herein is prohibited without the express written permission of Ancaster Conveying Systems Inc.