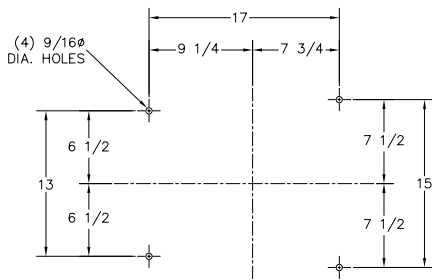
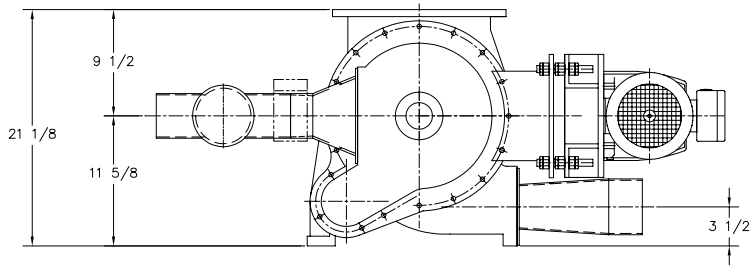


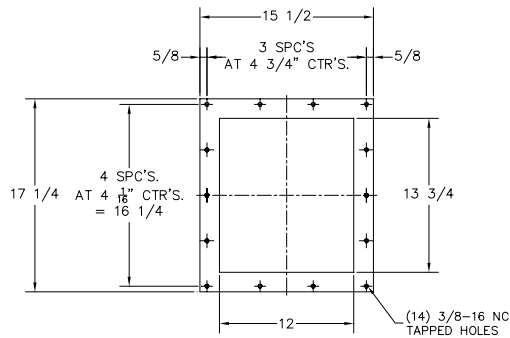
PLAN VIEW



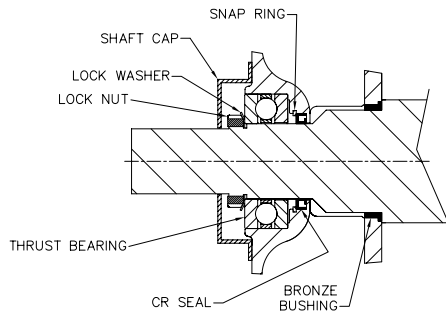
FOUNDATION DETAIL



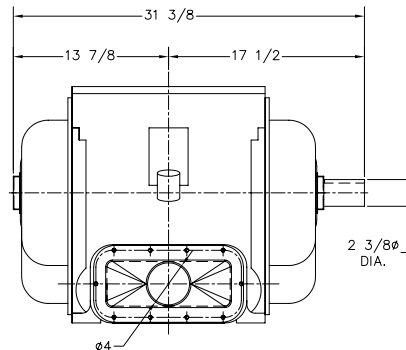
FRONT ELEVATION



INLET FLANGE DETAIL



SHAFT SEAL ASSEMBLY



SIDE ELEVATION

| VALVE INFORMATION |          |            |            |            |           |
|-------------------|----------|------------|------------|------------|-----------|
| HOUSING           | ENDPLATE | ROTOR      | BLADE TIP  |            |           |
| MAT'L             | MAT'L    | MAT'L      | TYPE       | MAT'L      | CLEARANCE |
| C.I.              | C.I.     | MILD STEEL | FIXED EDGE | MILD STEEL | .007-.010 |

| MOTOR            |      |         |           |            |            |      |
|------------------|------|---------|-----------|------------|------------|------|
| MFG.             | H.P. | VOLTAGE | ENCLOSURE | CL. & DIV. | FRAME SIZE | RPM  |
| INLINE GEARMOTOR | 2    | TBA     | TEFC      | STD. EFF.  | TBD        | 1800 |

| REDUCER          |       |      |            |
|------------------|-------|------|------------|
| MFG.             | FRAME | SIZE | R.P.M.     |
| INLINE GEARMOTOR | TBD   | TBD  | APPROX. 45 |

| CHAIN DRIVE |            |       |            | VALVE OPERATING CONDITIONS |           |
|-------------|------------|-------|------------|----------------------------|-----------|
| SIZE        | BORE       | SIZE  | BORE       | TEMP.                      | SEALS     |
| 60B12       | 1 1/4 DIA. | 60B26 | 2 3/8 DIA. | AMBIENT                    | PUSH TYPE |

| CONVEYING INFORMATION    |               |
|--------------------------|---------------|
| PRODUCT HANDLED          | TO BE ADVISED |
| PRODUCT DENSITY          | TO BE ADVISED |
| DISPLACEMENT / REV. 100% | 1.33 C.F.R.   |
| VALVE SPEED              | 20 RPM        |
| CONVEY RATE              | TO BE ADVISED |

NOTES

- ALL DIMENSIONS IN INCHES
- CONSTRUCTION: CAST GREY IRON HOUSING AND ENDPLATES (CL,40,217 BRINELL) FABRICATED CARBON STEEL ROTOR, OPEN END FIXED WITH RELIEVED TIPS (3/8" LAND) CLOSE TOLERANCE CLOCKWISE ROTATION LOOKING AT THE DRIVE END.
- PAINT: STANDARD METAL PREPARATION, EXTERIOR PRIMED AND ONE COAT FINISH ENAMEL - ACS BLUE DRIVE GUARD IS HI-VISIBILITY SAFETY YELLOW, MOTOR/GEARMOTOR IS MANUFACTURES STANDARD FINSH
- AEROFLOW STYLE SHAFT SEAL (SEE DETAIL)
- WEIGHT WITH DRIVE PACKAGE 600 LBS.
- INCLUDED OPTIONS:
  - ENDPLATES: CAST IRON CONSTRUCTION
  - ROTOR: FABRICATED OPEN END MILD STEEL
  - ROTOR: FIXED EDGE MILD STEEL ROTOR TIPS - BEVELED
  - HOUSING: CAST IRON CONSTRUCTION
  - INLET ADAPTER MANIFOLD: 4" O/D TUBE CONNECTION
  - DISCHARGE TRANSITION ADAPTER TO 4" O/D TUBE CONNECTION

**ANCASTER CONVEYING SYSTEMS LTD.**  
 611 ARGYLE ST. N CALEDONIA ONTARIO N3W-1M1  
 TEL. (905) 765-2004 FAX. (905) 765-4491

TITLE: ACS MODEL AF-C ROTARY VALVE, GENERAL ARRANGEMENT

FOR: GENERAL USE ONLY

P.O: N/A

|                 |               |               |
|-----------------|---------------|---------------|
| SCALE: 1"=12"   | DRAWN BY: G.T | <b>B-3061</b> |
| DATE: OCT/27/06 | CHECKED:      |               |

Proprietary Information  
 This drawing is the confidential property of Ancaster Conveying Systems Ltd and is restricted to circulation. The reproduction, use or disclosure, in whole or in part, of the design or details contained herein is prohibited without the express written permission of Ancaster Conveying Systems Inc.

| ISSUE | DATE | REVISION | BY |
|-------|------|----------|----|
|       |      |          |    |