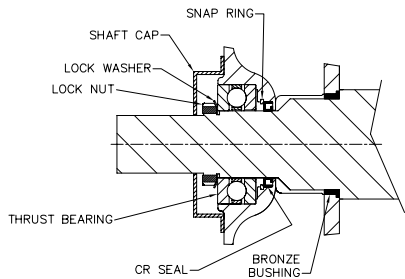
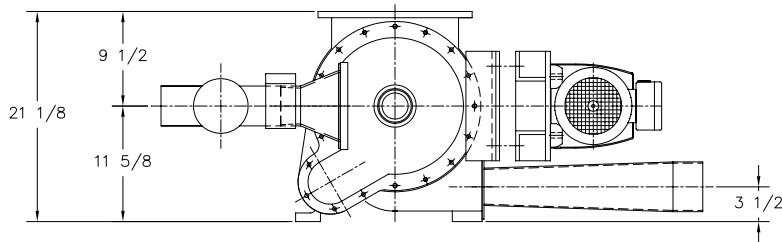


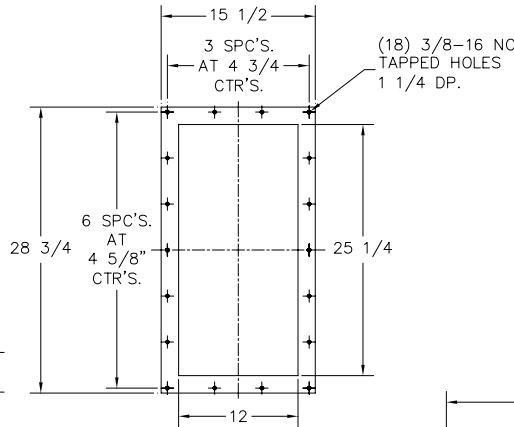
PLAN VIEW



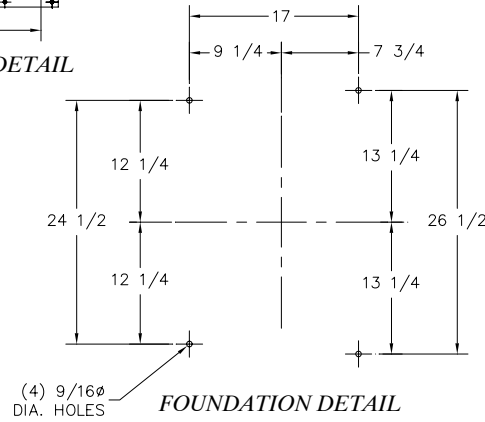
SHAFT SEAL ASSEMBLY



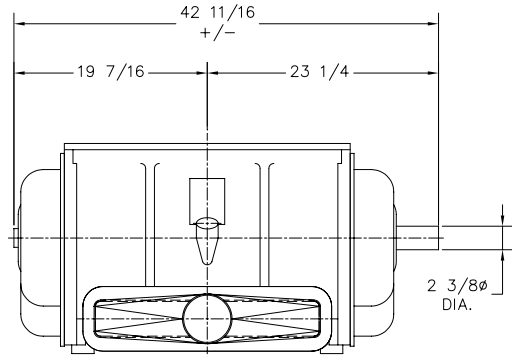
ELEVATION



FLANGE DETAIL



FOUNDATION DETAIL



ELEVATION

VALVE INFORMATION					
HOUSING	ENDPLATE	ROTOR	BLADE TIP		
MAT'L	MAT'L	MAT'L	TYPE	MAT'L	CLEARANCE
C.I.	C.I.	MILD STEEL	FIXED EDGE	MILD STEEL	.007-.010

MOTOR						
MFG.	H.P.	VOLTAGE	ENCLOSURE	CL. & DIV.	FRAME SIZE	RPM
INLINE GEARMOTOR	2	TBA	TEFC	STD. EFF.	TBD	1800

REDUCER			
MFG.	FRAME	SIZE	R.P.M.
INLINE GEARMOTOR	TBD	TBD	APPROX. 45

CHAIN DRIVE				VALVE OPERATING CONDITIONS	
SIZE	BORE	SIZE	BORE	TEMP.	SEALS
80B12	1 3/8 DIA.	80B26	2 3/8 DIA.	AMBIENT	PUSH TYPE

CONVEYING INFORMATION	
PRODUCT HANDLED	TO BE ADVISED
PRODUCT DENSITY	TO BE ADVISED
DISPLACEMENT / REV. 100%	2.29 C.F.R.
VALVE SPEED	20 RPM
CONVEY RATE	TO BE ADVISED

NOTES

- ALL DIMENSIONS IN INCHES
- CONSTRUCTION: CAST GREY IRON HOUSING AND ENDPLATES (CL,40,217 BRINELL) , FABRICATED CARBON STEEL ROTOR, OPEN END FIXED WITH RELIEVED TIPS (1/8" LAND) CLOSE TOLERANCE. C.C.W. ROTATION LOOKING AT THE DRIVE END.
- BOTTOM FLANGE BOLT PATTERN MATCHES TOP FLANGE BOLT PATTERN
- PAINT: STANDARD METAL PREPARATION, EXTERIOR PRIMED AND ONE COAT FINISH ENAMEL - ACS BLUE, DRIVE GUARD IS HI-VISIBILITY YELLOW, MOTOR/GEAR MOTOR IS MANUFACTURERS STANDARD FINISH.
- SHAFT SEAL ASSEMBLY (SEE DETAIL)
- WEIGHT WITH DRIVE - 2510 lbs.
- OPTIONS:
 - ENDPLATES: CAST IRON STEEL
 - ROTOR: FABRICATED MILD STEEL OPEN END ROTOR
 - ROTOR: FIXED EDGE MILD STEEL ROTOR TIPS
 - HOUSING: CAST IRON CONSTRUCTION

Proprietary Information
 This drawing is the confidential property of Ancaster Conveying Systems Ltd. and is intended for use only in accordance with the reproduction, use or disclosure, in whole or in part, of the design or details contained herein is prohibited without the express written permission of Ancaster Conveying Systems Inc.

ANCASTER CONVEYING SYSTEMS LTD.
 611 ARGYLE ST. N CALEDONIA ONTARIO N3W-1M1
 TEL. (905) 765-2004 FAX. (905) 765-4491

TITLE: ACS MODEL AF-D ROTARY VALVE, GENERAL ARRANGEMENT
 FOR: GENERAL USE ONLY
 P.O: N/A

ISSUE	DATE	REVISION	BY	SCALE: 1"=12"	DRAWN BY: G.T	B-2470
				DATE: JUN/20/07	CHECKED:	