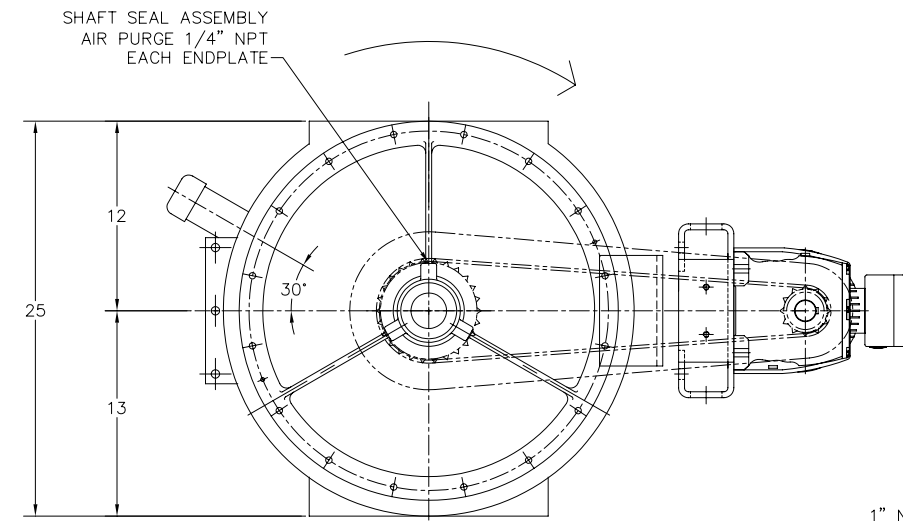
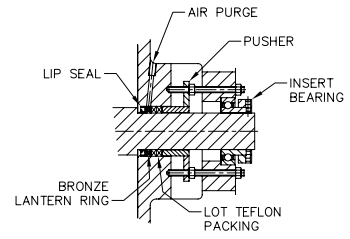


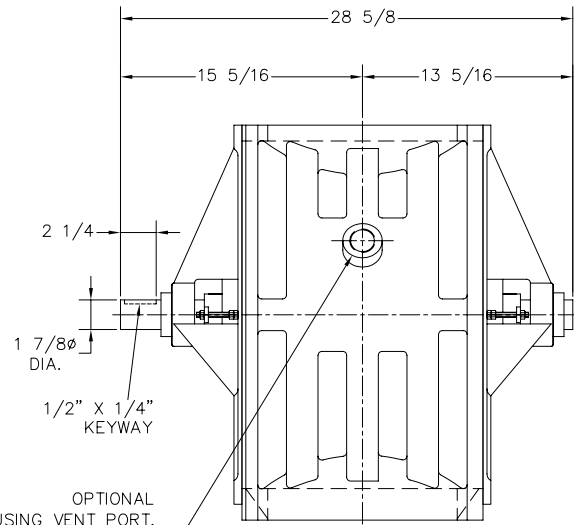
PLAN VIEW



ELEVATION



SHAFT SEAL ASSEMBLY  
PACKING GLAND



ELEVATION

OPTIONAL 1" NPT HOUSING VENT PORT, LOCATED ON OPP. SIDE SHOWN HERE FOR CLARITY

VALVE INFORMATION					
HOUSING	ENDPLATE	ROTOR	BLADE TIP		
MAT'L	MAT'L	MAT'L	TYPE	MAT'L	CLEARANCE
C.I.	C.I.	MILD STEEL	FIXED EDGE	MILD STEEL	.007-.010

MOTOR						
MFG.	H.P.	VOLTAGE	ENCLOSURE	CL. & DIV.	FRAME SIZE	RPM
SEW EURODRIVE R-SERIES	2	T.B.A.	TEFC	STD. EFF.	DT90L4	1800

REDUCER				
MFG.	FRAME	RATIO	SIZE	R.P.M.
SEW EURODRIVE R-SERIES	R57	36.93	R57DT90L4	46

CHAIN DRIVE				VALVE OPERATING CONDITIONS	
SIZE	BORE	SIZE	BORE	TEMP.	SEALS
60B12	1 1/4Ø	60B28	1 7/8Ø	AMBIENT	PACKING GLAND

CONVEYING INFORMATION	
PRODUCT HANDLED	TO BE ADVISED
PRODUCT DENSITY	TO BE ADVISED
DISPLACEMENT / REV. 100%	2.40 C.F.R.
VALVE SPEED	20 RPM
CONVEY RATE	TO BE ADVISED

NOTES

- ALL DIMENSIONS IN INCHES
- CONSTRUCTION: CAST GREY IRON HOUSING AND ENDPLATES (CL,40,217 BRINELL) FABRICATED CARBON STEEL ROTOR, OPEN END FIXED WITH RELIEVED TIPS (1/8" LAND) CLOSE TOLERANCE CLOCKWISE ROTATION LOOKING AT THE DRIVE END.
- BOTTOM FLANGE BOLT PATTERN MATCHES TOP FLANGE PATTERN
- PAINT: STANDARD METAL PREPARATION, EXTERIOR PRIMED AND ONE COAT FINISH ENAMEL - ACS BLUE DRIVE GUARD IS HI-VISIBILITY SAFETY YELLOW, MOTOR/GEARMOTOR IS MANUFACTURES STANDARD FINSH
- PACKING/GEARD MOTOR STYLE SHAFT SEAL (SEE DETAIL)
- WEIGHT WITH DRIVE PACKAGE 1015 LBS.
- INCLUDED OPTIONS:
  - ENDPLATES: CAST IRON CONSTRUCTION
  - ROTOR: FABRICATED OPEN END MILD STEEL
  - ROTOR: FIXED EDGE MILD STEEL ROTOR TIPS - BEVELED
  - HOUSING: CAST IRON CONSTRUCTION

ISSUE	DATE	REVISION	BY
<b>ACS VALVES</b> 611 ARGYLE STEET NORTH CALEDONIA ONT. N3W-1M1 PHONE: 905-765-2004 FAX: 905-765-4491 sales@ancasterconveying.com www.ancasterconveying.com			
TITLE: ACS MODEL CDC-CI 8" ROTARY VALVE, GENERAL ARRANGEMENT			
FOR: GENERAL USE ONLY			
P.O: N/A			
SCALE: N.T.S.	DRAWN BY: G.T		<b>B-2445</b>
DATE: MAY/20/09	CHECKED:		

Proprietary Information  
This drawing is the confidential property of Ancaster Conveying Systems Ltd and is intended for confidential use only. The reproduction, use or disclosure of this drawing without the express written permission of Ancaster Conveying Systems Ltd is prohibited.