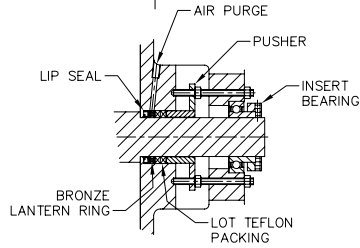
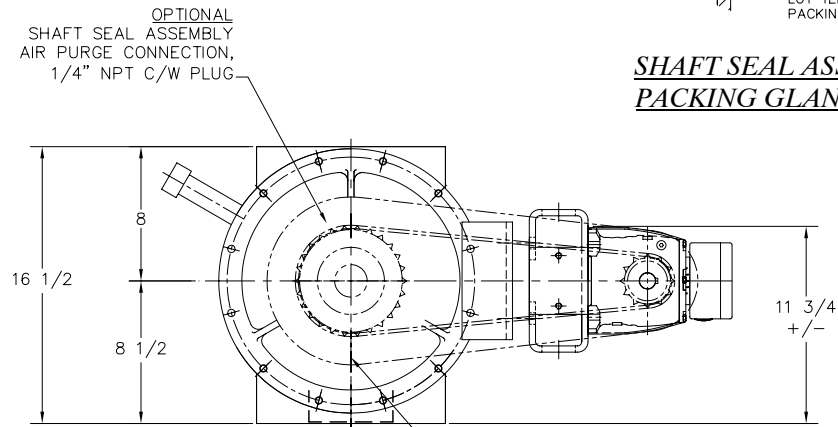


**FLANGE DETAILS**

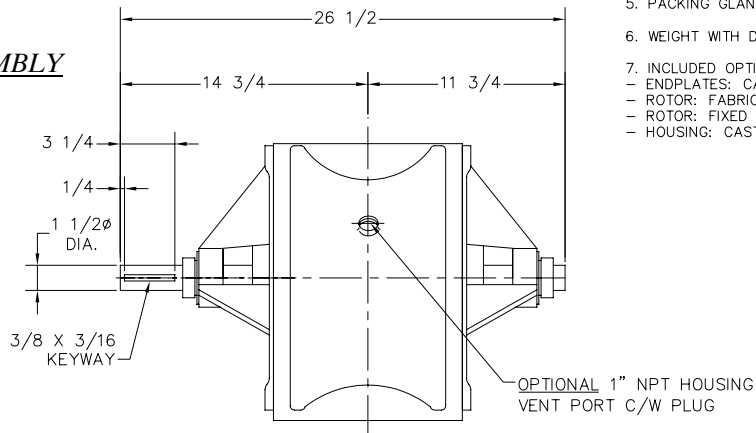


**SHAFT SEAL ASSEMBLY  
PACKING GLAND**



**ELEVATION**

OPTIONAL ROTOR POCKET PURGE CONNECTION  $\frac{1}{2}$ " NPT C/W PLUG



VALVE INFORMATION					
HOUSING	ENDPLATE	ROTOR	BLADE TIP		
MAT'L	MAT'L	MAT'L	TYPE	MAT'L	CLEARANCE
C.I.	C.I.	MILD STEEL	FIXED EDGE	MILD STEEL	.004-.007

MOTOR						
MFG.	H.P.	VOLTAGE	ENCLOSURE	CL. & DIV.	FRAME SIZE	RPM
SEW EURODRIVE R-SERIES	3/4	T.B.A.	TEFC	STD. EFF.	DT80K4	1800

REDUCER			
MFG.	FRAME	RATIO	R.P.M.
SEW EURODRIVE R-SERIES	R37	36.72	46

CHAIN DRIVE				VALVE OPERATING CONDITIONS	
SIZE	BORE	SIZE	BORE	TEMP.	SEALS
60B12	1 1/4<math>\phi</math>	60B26	1 1/2<math>\phi</math>	AMBIENT	ACST-4

CONVEYING INFORMATION	
PRODUCT HANDLED	TO BE ADVISED
PRODUCT DENSITY	TO BE ADVISED
DISPLACEMENT / REV. 100%	.80 C.F.R.
VALVE SPEED	20 RPM
CONVEY RATE	TO BE ADVISED

**NOTES**

- ALL DIMENSIONS IN INCHES
- CONSTRUCTION: CAST GREY IRON HOUSING AND ENDPLATES (CL.40,217 BRINELL) FABRICATED CARBON STEEL ROTOR, OPEN END FIXED WITH RELIEVED TIPS ( $\frac{1}{8}$ " LAND) CLOSE TOLERANCE CLOCKWISE ROTATION LOOKING AT THE DRIVE END.
- BOTTOM FLANGE BOLT PATTERN MATCHES TOP FLANGE PATTERN
- PAINT: STANDARD METAL PREPARATION, EXTERIOR PRIMED AND ONE COAT FINISH ENAMEL - ACS BLUE DRIVE GUARD IS HI-VISIBILITY SAFETY YELLOW, MOTOR/GEARMOTOR IS MANUFACTURES STANDARD FINISH
- PACKING GLAND STYLE SHAFT SEAL ASSEMBLY (SEE DETAIL)
- WEIGHT WITH DRIVE PACKAGE 450 LBS.
- INCLUDED OPTIONS:
  - ENDPLATES: CAST IRON CONSTRUCTION
  - ROTOR: FABRICATED OPEN END MILD STEEL
  - ROTOR: FIXED EDGE MILD STEEL ROTOR TIPS - BEVELED
  - HOUSING: CAST IRON CONSTRUCTION

**Proprietary Information**  
This drawing is the confidential property of Ancaster Conveying Systems Ltd. and transmitted in confidence. The reproduction, use or disclosure, in whole or in part, of the design or details contained herein is prohibited without the express written permission of Ancaster Conveying Systems Inc.

**ACS VALVES**

611 ARGYLE STEET NORTH  
CALEDONIA ONT. N3W-1M1  
PHONE: 905-765-2004  
FAX: 905-765-4491  
sales@ancasterconveying.com  
www.ancasterconveying.com

TITLE: ACS MODEL CDC-CI 8" ROTARY VALVE, GENERAL ARRANGEMENT

FOR: GENERAL USE ONLY

P.O. N/A

SCALE: N.T.S.	DRAWN BY: G.T	B-2447	
DATE: MAY/20/09	CHECKED:		
ISSUE	DATE	REVISION	BY