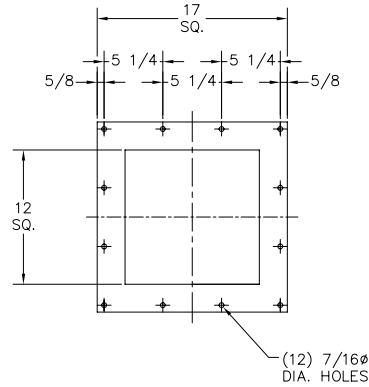
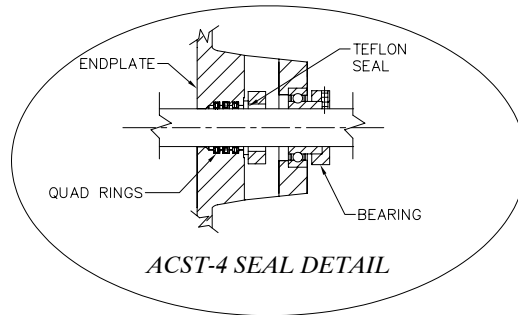


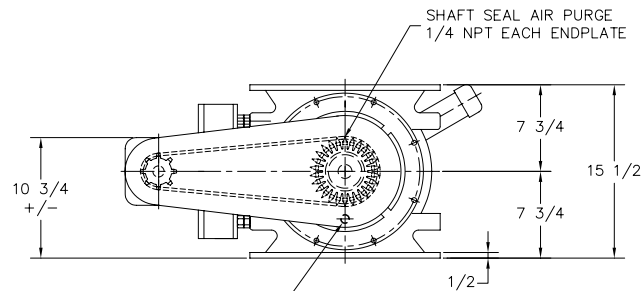
PLAN



FLANGE DETAIL

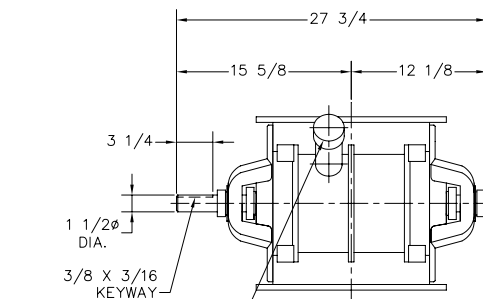


ACST-4 SEAL DETAIL



ROTOR POCKET PURGE 1/2 NPT C/W PLUG EACH ENDPLATE

ELEVATION



OPTIONAL 2" NPT HOUSING VENT PORT, CUSTOMER TO ORDER (NOT STAND.)

ELEVATION (DRIVE NOT SHOWN)

VALVE INFORMATION					
HOUSING	END PLATE	ROTOR	BLADE TIP		
MAT'L	MAT'L	MAT'L	TYPE	MAT'L	CLEARANCE
C.I.	C.I.	M.S.	T.B.D.	M.S.	.004-.007

MOTOR						
MFG.	H.P.	VOLTAGE	ENCLOSURE	CL & DIV.	FRAME SIZE	R.P.M.
INLINE GEARMOTOR	1	T.B.A.	TEFC	STD. EFF.	143 TC	1800

REDUCER			
MFG.	FRAME	SIZE	R.P.M.
INLINE GEARMOTOR	T.B.D.	T.B.D.	APPOX. 45

CHAIN DRIVE				OPERATING CONDITIONS	
DRIVE		DRIVEN		TEMP.	SEALS
SIZE	BORE	SIZE	BORE		
60B12	T.B.D.	60B28	1 1/2φ	AMBIENT	ACST-4

CONVEYING INFORMATION	
PRODUCT HANDLED	
PRODUCT DENSITY	
DISPLACEMENT/ REV 100%	0.75
VALVE SPEED	FINAL RPM 20
CONVEY RATE	

NOTES

- ALL DIMENSIONS IN INCHES
- CONSTRUCTION: CAST GREY IRON HOUSING AND ENDPLATES (CL,40,217 BRINELL), FABRICATED CARBON STEEL ROTOR, OPEN END FIXED WITH RELIEVED TIPS (1/8" LAND) CLOSE TOLERANCE. C.C.W. ROTATION LOOKING AT THE DRIVE END.
- BOTTOM FLANGE BOLT PATTERN MATCHES TOP FLANGE BOLT PATTERN
- PAINT: STANDARD METAL PREPARATION, EXTERIOR PRIMED AND ONE COAT FINISH ENAMEL - ACS BLUE, DRIVE GUARD IS HI-VISIBILITY YELLOW, MOTOR/GEAR MOTOR IS MANUFACTURERS STANDARD FINISH.
- ACST-4 SHAFT SEAL (SEE DETAIL)
- OPTIONS:
 - ROTOR: ADJUSTABLE TIPS (HARDENED STEEL OR STAINLESS STEEL)
 - 304 STAINLESS STEEL ROTOR
 - CLOSED END ROTOR
 - 10 VANE ROTOR
 - SHALLOW POCKET REDUCED VOLUME ROTORS
 - HOUSING: HARD CHROME INTERIOR BORE
 - ENDPLATE: HARD CHROME INTERIOR
 - WEAR RESISTANT EXTENDED LIFE DESIGN CONSISTING OF CERAMIC LINED BORE TUNSTEN CARBIDE EDGES (PLASMA SPRAY)
 - SHAFT SEAL AIR PURGE 1/4 NPT EACH ENDPLATE
 - ROTOR POCKET PURGE 1/2 NPT C/W PLUG EACH ENDPLATE
 - HIGH TEMPERATURE DESIGN (200-450 DEG. F)
 - REMOVABLE INSPECTION PANEL

ANCASTER CONVEYING SYSTEMS LTD.
 611 ARGYLE ST. N CALEDONIA ONTARIO N3W-1M1
 TEL. (905) 765-2004 FAX. (905) 765-4491

TITLE: ACS MODEL 12 X 12 C.I. ROTARY VALVE, GENERAL ARRANGEMENT

FOR: GENERAL USE ONLY

P.O. QUOTE

ISSUE	DATE	REVISION	BY	SCALE: 1"=12"	DRAWN BY: G.T	B-2252
				DATE: OCT/13/00	CHECKED:	