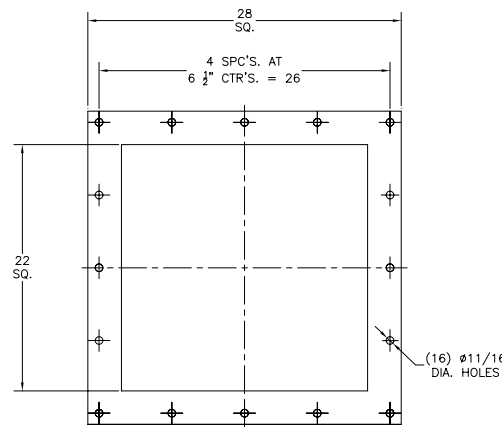
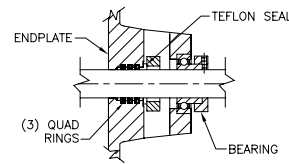


PLAN

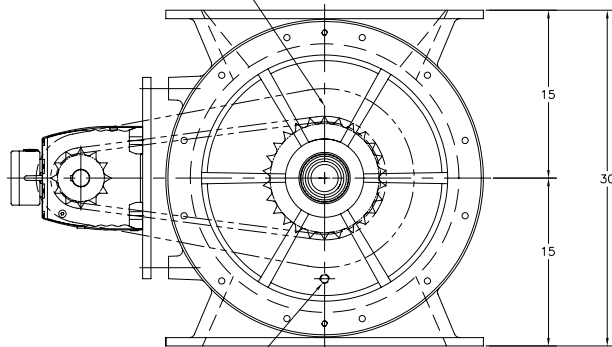


FLANGE DETAIL



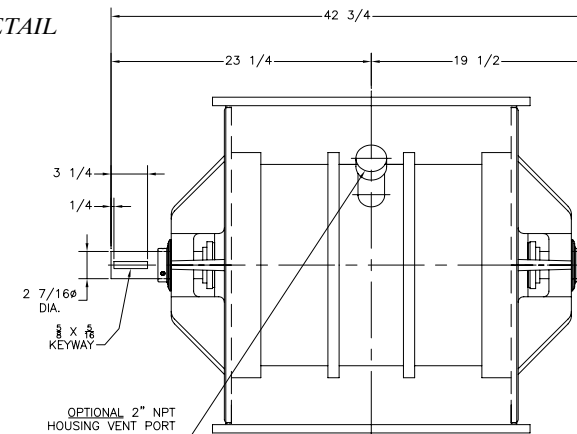
ACST-4 SEAL DETAIL

OPTIONAL SHAFT SEAL ASSEMBLY AIR PURGE CONNECTION 1/4\"/>



OPTIONAL ROTOR POCKET PURGE CONNECTION 1/4\"/>

ELEVATION



ELEVATION

VALVE INFORMATION					
HOUSING	ENDPLATE	ROTOR	BLADE TIP		
MAT'L	MAT'L	MAT'L	TYPE	MAT'L	CLEARANCE
C.I.	C.I.	MILD STEEL	FIXED EDGE	MILD STEEL	.012-.016

MOTOR						
MFG.	H.P.	VOLTAGE	ENCLOSURE	CL. & DIV.	FRAME SIZE	RPM
SEW EURODRIVE R-SERIES	5 HP	T.B.A.	TEFC	STD. EFF.	DT100L4	1800

REDUCER				
MFG.	FRAME	RATIO	SIZE	R.P.M.
SEW EURODRIVE R-SERIES	R77	36.83	R77DT100L4	46

CHAIN DRIVE				VALVE OPERATING CONDITIONS	
SIZE	BORE	SIZE	BORE	TEMP.	SEALS
100B12	1 5/8Ø	100B26	2 7/16Ø	AMBIENT	ACST-4

CONVEYING INFORMATION	
PRODUCT HANDLED	TO BE ADVISED
PRODUCT DENSITY	TO BE ADVISED
DISPLACEMENT / REV. 100%	4.6 C.F.R.
VALVE SPEED	20 RPM
CONVEY RATE	TO BE ADVISED

NOTES

- ALL DIMENSIONS IN INCHES
- CONSTRUCTION: CAST GREY IRON HOUSING AND ENDPATES (CL.40,217 BRINELL) FABRICATED CARBON STEEL ROTOR, OPEN END FIXED WITH RELIEVED TIPS (1/8\"/>
- BOTTOM FLANGE BOLT PATTERN MATCHES TOP FLANGE PATTERN
- PAINT: STANDARD METAL PREPARATION, EXTERIOR PRIMED AND ONE COAT FINISH ENAMEL - ACS BLUE DRIVE GUARD IS HI-VISIBILITY SAFETY YELLOW, MOTOR/GEARMOTOR IS MANUFACTURES STANDARD FINSH
- ACST-4 SHAFT SEAL ASSEMBLY (SEE DETAIL)
- WEIGHT WITH DRIVE PACKAGE 2400 LBS.
- INCLUDED OPTIONS:
 - ENDPLATES: SHAFT SEAL ASSEMBLY AIR PURGE CONNECTION, 1/4\"/>
 - ENDPLATES: CAST IRON CONSTRUCTION
 - ROTOR: FABRICATED OPEN END MILD STEEL
 - ROTOR: FIXED EDGE MILD STEEL ROTOR TIPS - BEVELED
 - HOUSING: CAST IRON CONSTRUCTION

ACS VALVES

611 ARGYLE STEET NORTH CALEDONIA ONT. N3W-1M1
 PHONE: 905-765-2004
 FAX: 905-765-4491
 sales@ancasterconveying.com
 www.ancasterconveying.com

TITLE: ACS MODEL MODEL C.I. 22 X 22 ROTARY VALVE, GENERAL ARRANGEMENT

FOR: GENERAL USE ONLY

P.O: N/A

SCALE: N.T.S.	DRAWN BY: G.T	B-2256-DP
DATE: MAR/24/09	CHECKED:	

Proprietary Information
 This drawing is the confidential property of Ancaster Conveying Systems Ltd. and transmitted in confidence. The reproduction, use or disclosure, in whole or in part, of the design or details contained herein is prohibited without the express written permission of Ancaster Conveying Systems Inc.

ISSUE	DATE	REVISION	BY
-------	------	----------	----