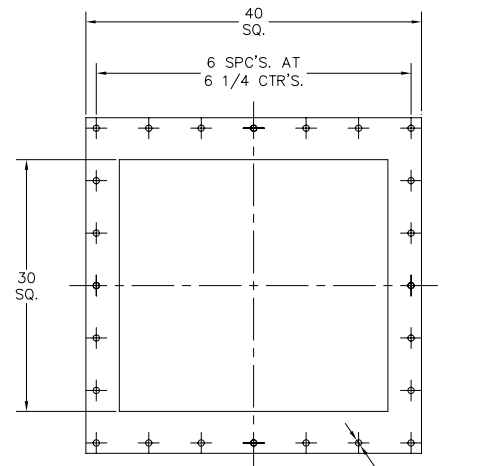
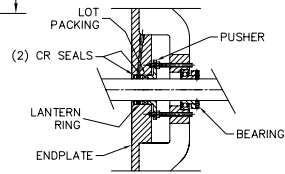


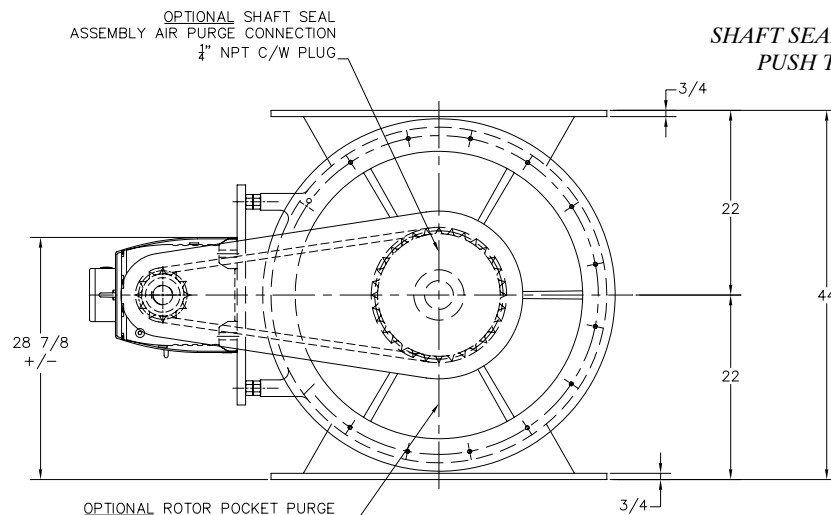
PLAN VIEW



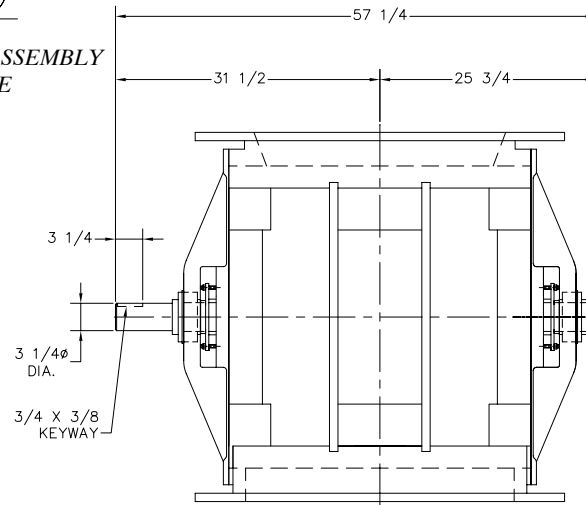
FLANGE DETAILS



SHAFT SEAL ASSEMBLY
PUSH TYPE



ELEVATION



ELEVATION

VALVE INFORMATION					
HOUSING	ENDPLATE	ROTOR	BLADE TIP		
MAT'L	MAT'L	MAT'L	TYPE	MAT'L	CLEARANCE
C.I.	C.I.	MILD STEEL	FIXED EDGE	MILD STEEL	.012-.016

MOTOR						
MFG.	H.P.	VOLTAGE	ENCLOSURE	CL. & DIV.	FRAME SIZE	RPM
INLINE GEARMOTOR	7 1/2	TBA	TEFC	STD. EFF.	TBD	1800


REDUCER				
MFG.	FRAME	RATIO	SIZE	R.P.M.
INLINE GEARMOTOR	TBD	TBD	TBD	APPROX. 45

CHAIN DRIVE				VALVE OPERATING CONDITIONS	
SIZE	BORE	SIZE	BORE	TEMP.	SEALS
120B12	2 3/8ø	120B32	3 1/4ø	AMBIENT	PUSH TYPE

CONVEYING INFORMATION	
PRODUCT HANDLED	TO BE ADVISED
PRODUCT DENSITY	TO BE ADVISED
DISPLACEMENT / REV. 100%	16.60 C.F.R.
VALVE SPEED	20 RPM
CONVEY RATE	TO BE ADVISED

NOTES

- 1) ALL DIMENSIONS IN INCHES
- 2) CONSTRUCTION: CAST GREY IRON HOUSING AND ENDPLATES (CL,40,217 BRINELL) , FABRICATED CARBON STEEL ROTOR, OPEN END FIXED WITH RELIEVED TIPS (1/8" LAND) CLOSE TOLERANCE. C.C.W. ROTATION LOOKING AT THE DRIVE END.
- 3) BOTTOM FLANGE BOLT PATTERN MATCHES TOP FLANGE BOLT PATTERN
- 4) PAINT: STANDARD METAL PREPARATION, EXTERIOR PRIMED AND ONE COAT FINISH ENAMEL - ACS BLUE, DRIVE GUARD IS HI-VISIBILITY YELLOW, MOTOR/GEAR MOTOR IS MANUFACTURERS STANDARD FINISH.
- 5) ACST-4 SHAFT SEAL (SEE DETAIL)
- 6) WEIGHT WITH DRIVE - 3450 lbs.
- 7) OPTIONS:
 - ENDPLATES: SHAFT SEAL ASSEMBLY AIR PURGE CONNECTION, 1/4" NPT
 - ENDPLATES: CAST IRON STEEL
 - ROTOR: FABRICATED MILD STEEL OPEN END ROTOR
 - ROTOR: FIXED EDGE MILD STEEL ROTOR TIPS
 - HOUSING: CAST IRON CONSTRUCTION

ISSUE	DATE	REVISION	BY
 ANCASTER CONVEYING SYSTEMS LTD. 611 ARGYLE ST. N CALEDONIA ONTARIO N3W-1M1 TEL. (905) 765-2004 FAX. (905) 765-4491			
TITLE: ACS MODEL C.I. 30 X 30 ROTRAY VALVE, GENERAL ARRANGEMENT			
FOR: GENERAL USE ONLY			
P.O: N/A			
SCALE: N.T.S.	DRAWN BY: G.T		B-2348
DATE: NOV/23/07	CHECKED:		

Proprietary Information
The design of the enclosed system is the property of Ancaster Conveying Systems Ltd. No part of this document may be reproduced, stored in a retrieval system, or transmitted in any form or by any means, electronic, mechanical, photocopying, recording, or by any information storage and retrieval system, without the prior written permission of Ancaster Conveying Systems Ltd.