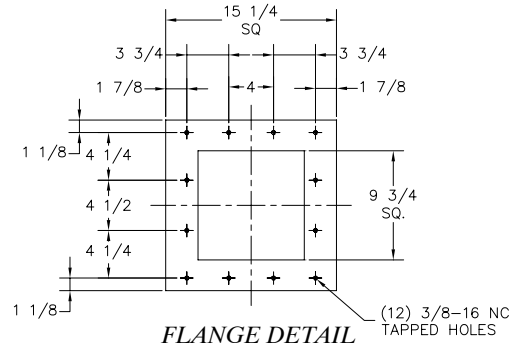
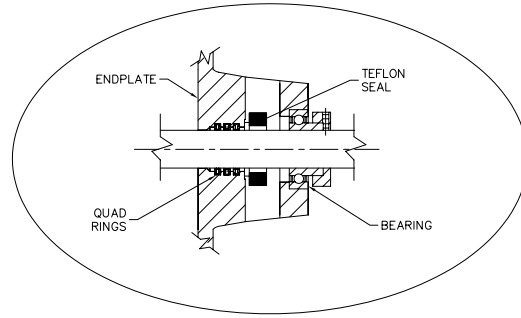


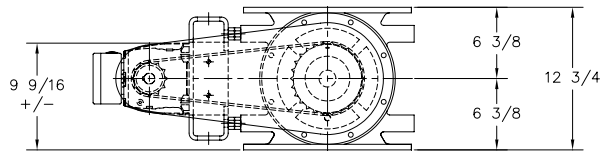
PLAN VIEW



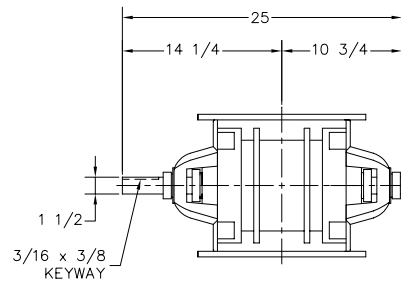
FLANGE DETAIL



ACST-4 SEAL DETAIL



ELEVATION



DRIVE ELEVATION
(DRIVE NOT SHOWN)

VALVE INFORMATION

HOUSING	END PLATE	ROTOR	BLADE TIP		
MAT'L	MAT'L	MAT'L	TYPE	MAT'L	CLEARANCE
C.I.	C.I.	M.S.	FIXED	M.S.	.004--.007

MOTOR

MFG.	H.P.	VOLTAGE	ENCLOSURE	CL & DIV.	FRAME SIZE	R.P.M.
INLINE GEARMOTOR	3/4	T.B.A.	TEFC	STD. EFF.	T.B.D.	1800

REDUCER

MFG.	FRAME	SIZE	R.P.M.
INLINE GEARMOTOR	T.B.D.	T.B.D.	APPOX. 45

CHAIN DRIVE

DRIVE		DRIVEN		OPERATING CONDITIONS	
SIZE	BORE	SIZE	BORE	TEMP.	SEALS
60B12	T.B.D.	60B26	1 1/2ø	AMBIENT	T.B.D.

CONVEYING INFORMATION

PRODUCT HANDLED	
PRODUCT DENSITY	
DISPLACEMENT/ REV 100%	0.40
VALVE SPEED	FINAL RPM 20
CONVEY RATE	

NOTES

- 1) ALL DIMENSIONS IN INCHES
- 2) CONSTRUCTION: CAST GREY IRON HOUSING AND ENDPLATES (CL.40,217 BRINELL) , FABRICATED CARBON STEEL ROTOR, OPEN END FIXED WITH RELIEVED TIPS (1/8" LAND) CLOSE TOLERANCE. C.C.W. ROTATION LOOKING AT THE DRIVE END.
- 3) BOTTOM FLANGE BOLT PATTERN MATCHES TOP FLANGE BOLT PATTERN
- 4) PAINT: STANDARD METAL PREPARATION, EXTERIOR PRIMED AND ONE COAT FINISH ENAMEL - ACS BLUE, DRIVE GUARD IS HI-VISIBILITY YELLOW, MOTOR/GEAR MOTOR IS MANUFACTURERS STANDARD FINISH.
- 5) ACST-4 SHAFT SEAL (SEE DETAIL)
- 6) WEIGHT WITH DRIVE - 327 lbs.
- 7) OPTIONS:
 - ENDPLATES: SHAFT SEAL ASSEMBLY AIR PURGE CONNECTION, 1/4" NPT
 - ENDPLATES: CAST IRON STEEL
 - ROTOR: FABRICATED MILD STEEL OPEN END ROTOR
 - ROTOR: FIXED EDGE MILD STEEL ROTOR TIPS
 - HOUSING: CAST IRON CONSTRUCTION

Proprietary Information
This drawing is the confidential property of Ancaster Conveying Systems Ltd. and transmitted in confidence. The reproduction, use or disclosure, in whole or in part, of the design or details contained herein is prohibited without the express written permission of Ancaster Conveying Systems Inc.

ANCASTER CONVEYING SYSTEMS LTD.
611 ARGYLE ST. N. CALEDONIA ONTARIO N3W-1M1
TEL. (905) 765-2004 FAX. (905) 765-4491

TITLE: ACS MODEL 9 X 9 C.I. ROTARY VALVE, GENERAL ARRANGEMENT

FOR: GENERAL USE ONLY

P.O:

ISSUE	DATE	REVISION	BY	SCALE: 1"=12"	DRAWN BY: VJ	B-3331
				DATE: NOV/21/07	CHECKED:	