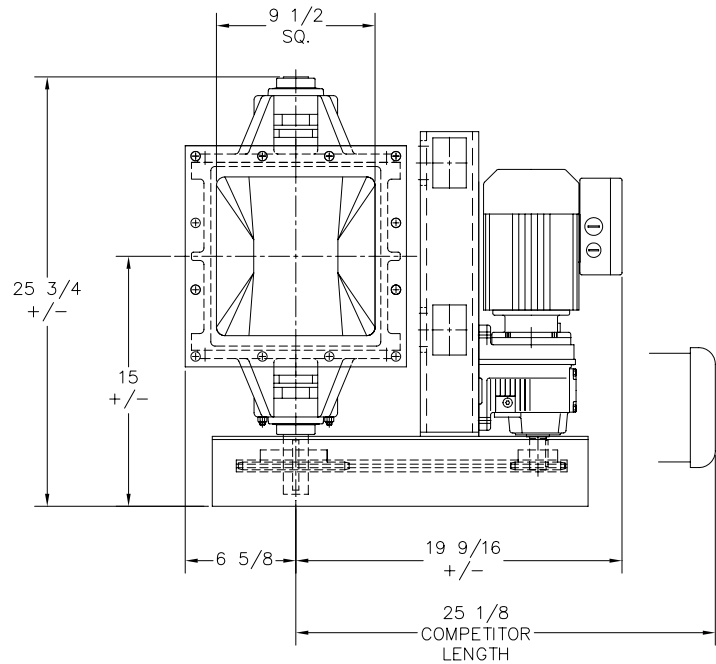
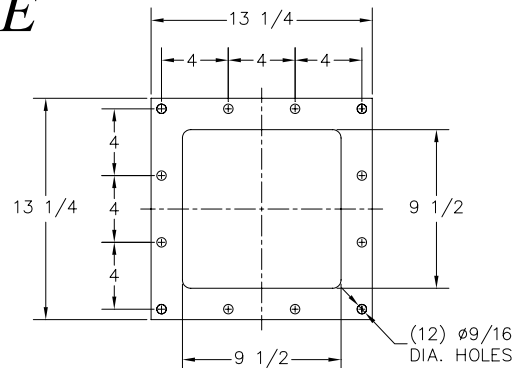


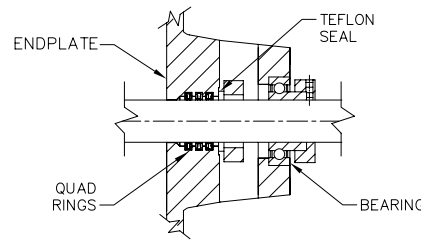
DR-S SERIES W/ DRIVE PACKAGE



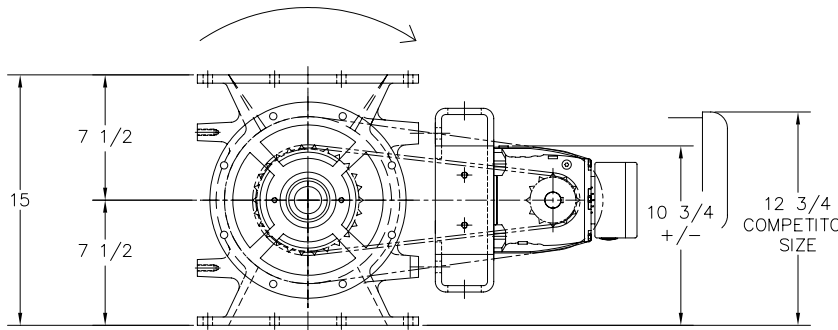
PLAN VIEW



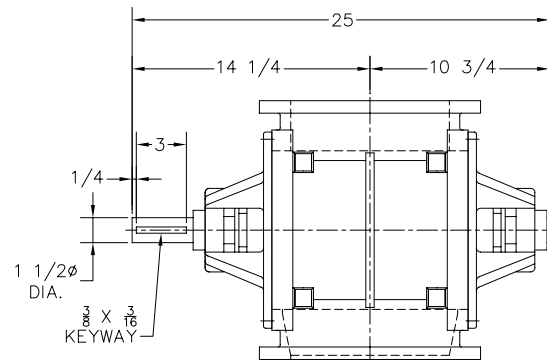
FLANGE DETAILS



ACST-4 SEAL DETAIL



ELEVATION



ELEVATION

VALVE INFORMATION					
HOUSING	ENDPLATE	ROTOR	BLADE TIP		
MAT'L	MAT'L	MAT'L	TYPE	MAT'L	CLEARANCE
C.I.	C.I.	MILD STEEL	FIXED EDGE	MILD STEEL	.004-.007

MOTOR						
MFG.	H.P.	VOLTAGE	ENCLOSURE	CL. & DIV.	FRAME SIZE	RPM
SEW EURODRIVE R-SERIES	1 HP	3/60/230v-460v	TEFC	STD. EFF.	DT80N4	1800

REDUCER				
MFG.	FRAME	RATIO	MODEL NO.	R.P.M.
SEW EURODRIVE R-SERIES	R37	36.72	R37DT80N4	46

CHAIN DRIVE NOT REQD.			VALVE OPERATING CONDITIONS		
SIZE	BORE	SIZE	BORE	TEMP.	SEALS
60B12	1Ø	60B26	1 1/2Ø	AMBIENT	ACST-4

CONVEYING INFORMATION	
PRODUCT HANDLED	TO BE ADVISED
PRODUCT DENSITY	TO BE ADVISED
DISPLACEMENT / REV. 100%	.34 (8-VANE) .36 (6-VANE)
VALVE SPEED	20 RPM
CONVEY RATE	TO BE ADVISED

NOTES

- ALL DIMENSIONS IN INCHES
- CONSTRUCTION: CAST GREY IRON HOUSING AND ENDPLATES. FABRICATED MILD STEEL 6 OR 8 VANE OPEN END ROTOR WITH FIXED EDGE MILD STEEL ROTOR TIPS - BEVELED. CLOCKWISE ROTATION LOOKING AT THE DRIVE END.
- BOTTOM FLANGE BOLT PATTERN MATCHES TOP FLANGE BOLT PATTERN
- PAINT: STANDARD METAL PREPARATION, EXTERIOR PRIMED AND ONE COAT FINISH ENAMEL - ACS BLUE.
- ACST-4 SHAFT SEAL ASSEMBLY, PACKING GLAND STYLE IS AVAILABLE
- WEIGHT WITH DRIVE PACKAGE: 400 lbs.
- STANDARD OPTIONS:
 - ENDPLATES: CAST GREY IRON CONSTRUCTION
 - ROTOR: FABRICATED MILD STEEL 6-VANE OR 8-VANE OPEN END ROTOR
 - ROTOR: FIXED EDGE MILD STEEL ROTOR TIPS - BEVELED
 - HOUSING: CAST GREY IRON CONSTRUCTION

Proprietary Information
This drawing is the confidential property of Ancaster Conveying Systems Ltd. and transmitted in confidence. The reproduction, use or disclosure, in whole or in part, of the design or details contained herein is prohibited without the express written permission of Ancaster Conveying Systems Inc.



ANCASTER CONVEYING SYSTEMS LTD.

611 ARGYLE ST. N CALEDONIA ONTARIO N3W-1M1
TEL. (905) 765-2004 FAX. (905) 765-4491

TITLE: ACS MODEL DR-S 10 X 10 ROTARY VALVE, GENERAL ARRANGEMENT

FOR: GENERAL USE ONLY

P.O: N/A

ISSUE	DATE	REVISION	BY	SCALE: 1"=12"	DRAWN BY: G.T	B-3340-DP
				DATE: JAN/11/08	CHECKED:	