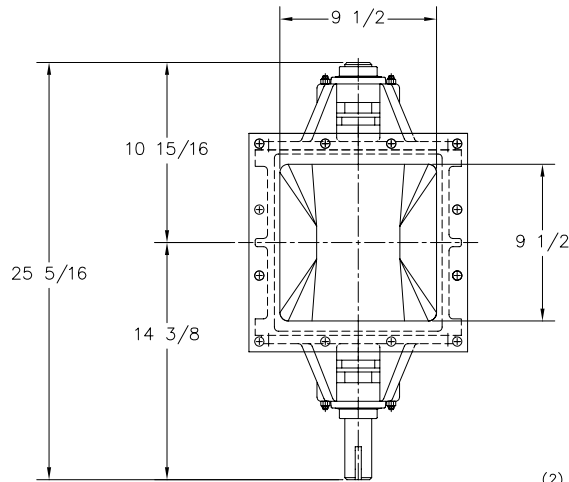
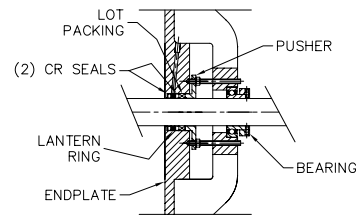


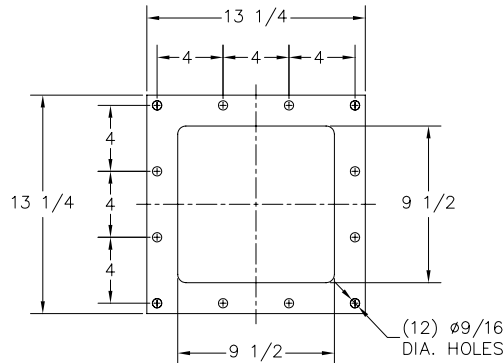
DR-S-HDX SERIES, DROP IN REPLACEMENT



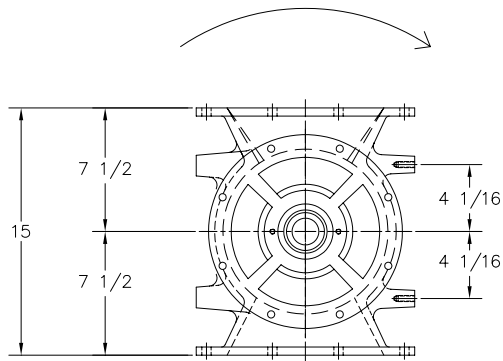
PLAN VIEW



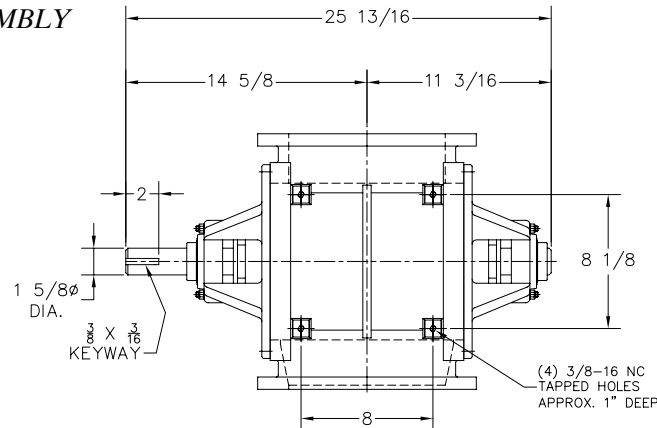
SHAFT SEAL ASSEMBLY
PUSH TYPE



FLANGE DETAILS



ELEVATION



ELEVATION

VALVE INFORMATION					
HOUSING	ENDPLATE	ROTOR	BLADE TIP		
MAT'L	MAT'L	MAT'L	TYPE	MAT'L	CLEARANCE
C.I.	C.I.	MILD STEEL	FIXED EDGE	MILD STEEL	.004-.007

MOTOR NOT REQUIRED						
MFG.	H.P.	VOLTAGE	ENCLOSURE	CL. & DIV.	FRAME SIZE	RPM
N/A	N/A	N/A	N/A	N/A	N/A	N/A

REDUCER NOT REQUIRED				
MFG.	FRAME	RATIO	MODEL NO.	R.P.M.
N/A	N/A	N/A	N/A	N/A

CHAIN DRIVE NOT REQ'D.				VALVE OPERATING CONDITIONS	
SIZE	BORE	SIZE	BORE	TEMP.	SEALS
N/A	N/A	N/A	N/A	AMBIENT	PACKING GLAND

CONVEYING INFORMATION		
PRODUCT HANDLED	TO BE ADVISED	
PRODUCT DENSITY	TO BE ADVISED	
DISPLACEMENT / REV. 100%	.34 (8-VANE)	.36 (6-VANE)
VALVE SPEED	20 RPM	
CONVEY RATE	TO BE ADVISED	

NOTES

- ALL DIMENSIONS IN INCHES
- CONSTRUCTION: CAST GREY IRON HOUSING AND ENDPLATES. FABRICATED MILD STEEL 6 OR 8 VANE OPEN END ROTOR WITH FIXED EDGE MILD STEEL ROTOR TIPS - BEVELED. CLOCKWISE ROTATION LOOKING AT THE DRIVE END.
- BOTTOM FLANGE BOLT PATTERN MATCHES TOP FLANGE BOLT PATTERN
- PAINT: STANDARD METAL PREPARATION, EXTERIOR PRIMED AND ONE COAT FINISH ENAMEL - ACS BLACK
- PACKING GLAND SHAFT SEALS (SEE DETAILS)
- WEIGHT WITHOUT DRIVE PACKAGE: 260 lbs.
- STANDARD OPTIONS:
 - ENDPLATES: CAST GREY IRON CONSTRUCTION
 - ROTOR: FABRICATED MILD STEEL 6-VANE OR 8-VANE OPEN END ROTOR
 - ROTOR: FIXED EDGE MILD STEEL ROTOR TIPS - BEVELED
 - HOUSING: CAST GREY IRON CONSTRUCTION

Proprietary Information
This drawing is the confidential property of Ancaster Conveying Systems Ltd. and transmitted in confidence. The reproduction, use or disclosure, in whole or in part, of the design or details contained herein is prohibited without the express written permission of Ancaster Conveying Systems Inc.

ANCASTER CONVEYING SYSTEMS LTD.
611 ARGYLE ST. N CALEDONIA ONTARIO N3W-1M1
TEL. (905) 765-2004 FAX. (905) 765-4491

TITLE: ACS MODEL DR-S 10 X 10 ROTARY VALVE, GENERAL ARRANGEMENT
FOR: GENERAL USE ONLY
P.O: N/A

ISSUE	DATE	REVISION	BY	SCALE: 1"=12"	DRAWN BY: G.T	B-3340-HDX
				DATE: JAN/11/08	CHECKED:	