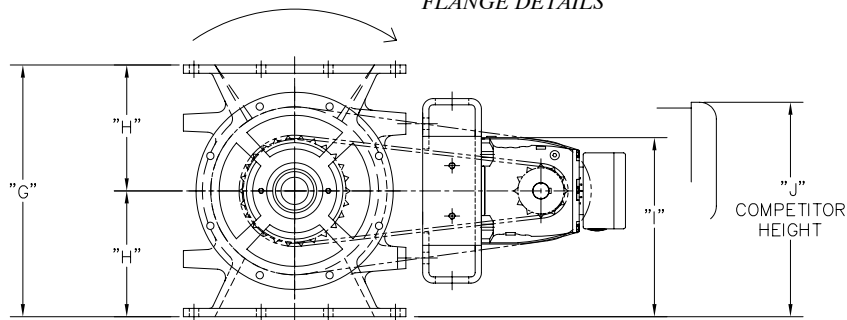
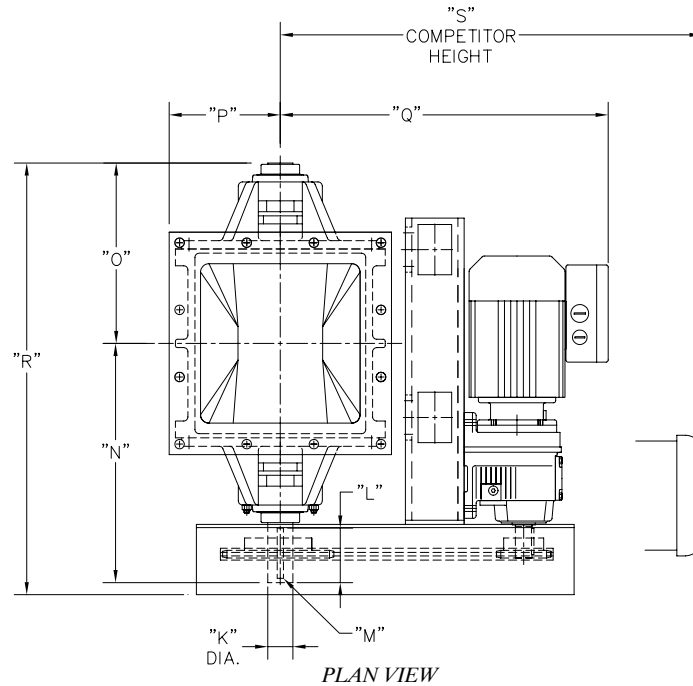


INLET & OUTLET FLANGE DETAILS



FRONT ELEVATION



PLAN VIEW

VALVE	A	B	C	D	E	F	G	H	I	J	K	L	M	N	O	P	Q	R	S	REV. 100%	WEIGHT
DR-S 8 X 8	5	N/A	9 3/4	7 5/8	11	8	12	6	9 3/16	11 3/8	1 1/2	3 1/4	3/8 X 3/16	13 1/4	9 3/4	5 1/2	18 9/16	23 1/4	24	.17 (8-VANE) & .18 (6-VANE)	260
DR-S 10 X 10	4	4	N/A	9 1/2	13 1/4	12	15	7 1/2	10 3/4	12 3/4	1 1/2	3 1/4	3/8 X 3/16	14 1/4	10 3/4	6 5/8	19 9/16	25 3/4	25 1/8	.34 (8-VANE) & .36 (6-VANE)	400
DR-S 12 X 12	4 7/8	4 7/8	N/A	11 1/4	16 1/4	12	18 1/4	9 1/8	13	15 1/8	1 1/2	3 1/4	3/8 X 3/16	15 5/8	12 1/8	8 1/8	23 7/16	29	33 3/8	.61 (8-VANE) & .64 (6-VANE)	650

Proprietary Information  
This drawing is the confidential property of Ancaster Conveying Systems Ltd. and transmitted in confidence. The reproduction, use or disclosure, in whole or in part, of the design or details contained herein is prohibited without the express written permission of Ancaster Conveying Systems Inc.

**ANCASTER CONVEYING SYSTEMS LTD.**  
611 ARGYLE ST. N CALEDONIA ONTARIO N3W-1M1  
TEL. (905) 765-2004 FAX. (905) 765-4491

TITLE: ACS MODEL DR-S SERIES ROTARY VALVES, ALL SIZES, GENERAL ARRANGEMENT  
FOR: GENERAL USE ONLY  
P.O: N/A

ISSUE	DATE	REVISION	BY	SCALE: N.T.S.	DATE: JUN/25/08	DRAWN BY: G.T	CHECKED:	<b>B-3378</b>