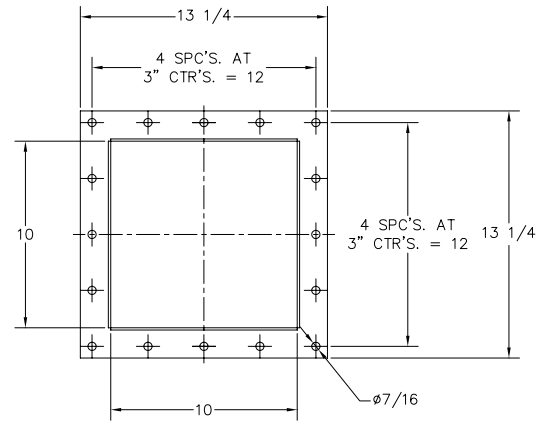
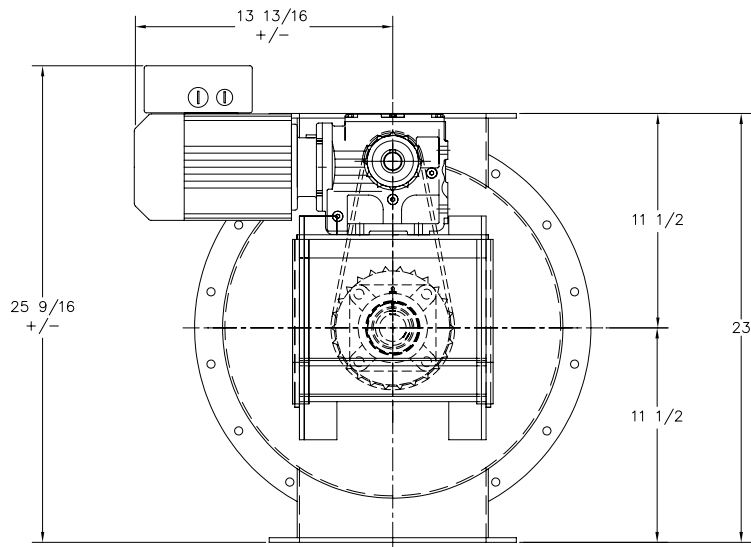


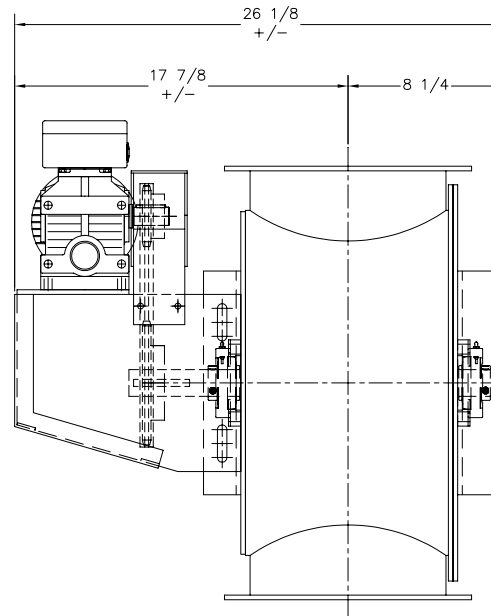
PLAN VIEW



OPTIONAL SQUARE FLANGE



ELEVATION



ELEVATION

NOTES:

1. ALL DIMENSIONS IN INCHES
2. MILD STEEL CONSTRUCTION
3. CAPACITY 1.34 CU. FT./REV.
4. CAPACITY SHOWN AT 100% - SELECT AT 40% - 60%
5. STANDARD ROTOR SPEED 24 RPM (MAX 30)
6. FLEX TIP ROTOR MATERIAL IS NEOPRENE STANDARD, EPDM AND OTHER MATERIALS OPTIONAL
7. SHIPPING WIEGHT 310 lbs.
8. PAINT: PRIMED , PAINTED ONE COAT ENAMEL - ACS BLUE



ANCASTER CONVEYING SYSTEMS LTD.

611 ARGYLE ST. N CALEDONIA ONTARIO N3W-1M1
TEL. (905) 765-2004 FAX. (905) 765-4491

TITLE: ACS MODEL 10" FT ROTARY VALVE, GENERAL ARRANGEMENT

FOR: GENERAL USE ONLY

P.O: N/A

Proprietary Information
This drawing is the confidential property of Ancaster Conveying Systems Ltd. and transmitted in confidence. The reproduction, use or disclosure, in whole or in part, of the design or details contained herein is prohibited without the express written permission of Ancaster Conveying Systems Inc.

SCALE: N.T.S.	DRAWN BY: G.T	B-2345
ISSUE	DATE	
REVISION	BY	DATE: FEB/20/08
		CHECKED: