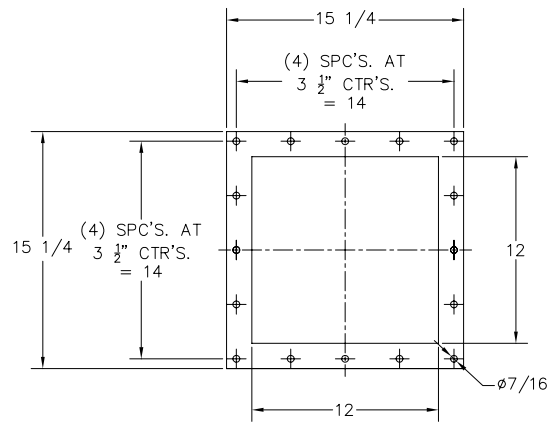
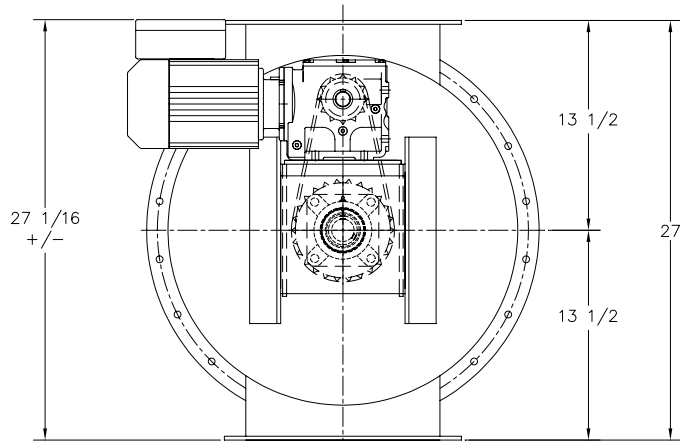


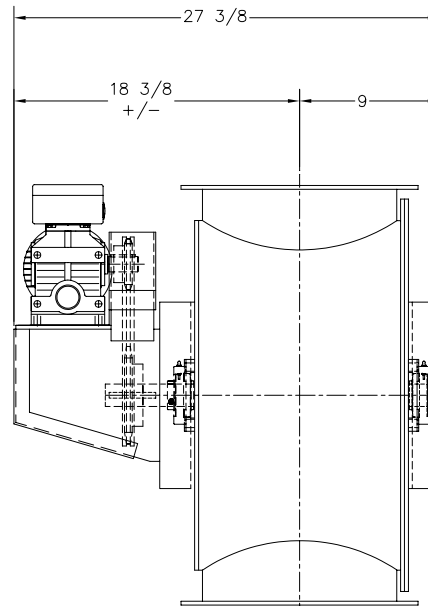
PLAN VIEW



ALTERNATIVE SQUARE FLANGE



FRONT ELEVATION



SIDE ELEVATION

VALVE INFORMATION					
HOUSING	ENDPLATE	ROTOR	BLADE TIP		
MAT'L	MAT'L	MAT'L	TYPE	MAT'L	CLEARANCE
M.S.	M.S.	MILD STEEL	FLEX TIP	NEOPRENE	N/A

MOTOR						
MFG.	H.P.	VOLTAGE	ENCLOSURE	CL. & DIV.	FRAME SIZE	RPM
RIGHT ANGLE GEARMOTOR	1	TBA	TEFC	STD. EFF.	TBD	1800

REDUCER				
MFG.	FRAME	RATIO	SIZE	R.P.M.
RIGHT ANGLE GEARMOTOR	TBD	TBD	TBD	APPROX. 45

CHAIN DRIVE				VALVE OPERATING CONDITIONS	
SIZE	BORE	SIZE	BORE	TEMP.	SEALS
60B12	1"Ø	60B26	1 7/16Ø	AMBIENT	NEOPRENE

CONVEYING INFORMATION	
PRODUCT HANDLED	TO BE ADVISED
PRODUCT DENSITY	TO BE ADVISED
DISPLACEMENT / REV. 100%	2.46 C.F.R.
VALVE SPEED	20 RPM
CONVEY RATE	TO BE ADVISED

NOTES:

- ALL DIMENSIONS IN INCHES
- CONSTRUCTION: MILD STEEL HOUSING AND ENDPLATE. FABRICATED MILD STEEL FLEX TIP STYLE ROTOR WITH NEOPRENE WIPER BLADES C.C.W. ROTATION LOOKING AT THE DRIVE END.
- TOP FLANGE MATCHES BOTTOM FLANGE, ALTERNATIVE SQUARE FLANGE AVAILABLE
- CAPACITY SHOWN @ 100% SELECT @ 40%-60%
- PAINT: PRIMED & PAINTED ONE COAT OF ACS BLUE
- WEIGHT WITHOUT DRIVE PACKAGE 380 LBS.
- SC NORMAL DUTY 4-BOLT FLANGE BEARINGS
- DRIVE PACKAGE (SEE ABOVE)

**ANCASTER CONVEYING SYSTEMS LTD.**  
 611 ARGYLE ST. N. CALEDONIA ONTARIO N3W-1M1  
 TEL. (905) 765-2004 FAX. (905) 765-4491

TITLE: ACS MODEL FT 12" (FLEX TIP) ROTARY VALVE, GENERAL ARRANGEMENT

FOR: GENERAL USE ONLY

P.O:

SCALE: N.T.S.	DRAWN BY: G.T	<b>B-2329</b>
DATE: MAR/28/08	CHECKED:	

Proprietary Information  
 This drawing is the confidential property of Ancaster Conveying Systems Ltd. and transmitted in confidence. The reproduction, use or disclosure, in whole or in part, of the design or details contained herein is prohibited without the express written permission of Ancaster Conveying Systems Inc.

ISSUE	DATE	REVISION	BY
-------	------	----------	----