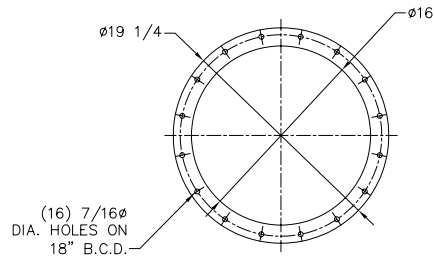
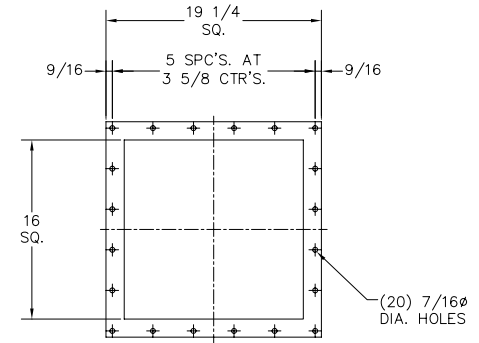


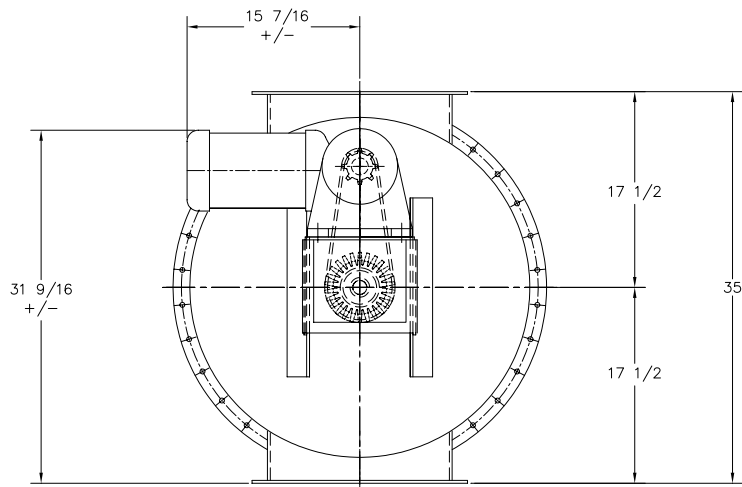
PLAN VIEW



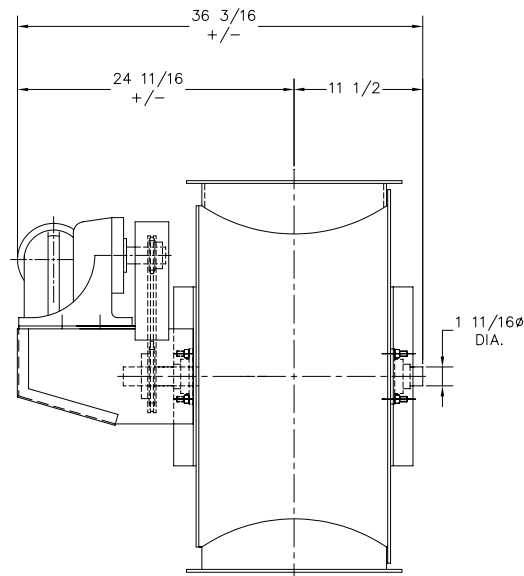
ROUND INLET/OUTLET FLANGE DETAIL



SQUARE INLET/OUTLET FLANGE DETAIL



ELEVATION



ELEVATION

**NOTES:**

1. ALL DIMENSIONS IN INCHES
2. MILD STEEL CONSTRUCTION
3. CAPACITY 6.20 CU. FT./REV.
4. CAPACITY SHOWN AT 100% - SELECT AT 40% - 60%
5. STANDARD ROTOR SPEED 24 RPM (MAX 30)
6. FLEX TIP ROTOR MATERIAL IS NEOPRENE STANDARD, EPDM AND OTHER MATERIALS OPTIONAL
7. SHIPPING WIEGHT 600lbs
8. PAINT: PRIMED , PAINTED ONE COAT ENAMEL - ACS BLUE
9. ROUND AND SQUARE DESIGN AVAILABLE



**ANCASTER CONVEYING SYSTEMS LTD.**

611 ARGYLE ST. N CALEDONIA ONTARIO N3W-1M1  
TEL. (905) 765-2004 FAX. (905) 765-4491

TITLE: ACS MODEL 16" FT ROTARY VALVE, GENERAL ARRANGEMENT

FOR: GENERAL USE ONLY

P.O: N/A

**Proprietary Information**  
This drawing is the confidential property of Ancaster Conveying Systems Ltd. and transmitted in confidence. The reproduction, use or disclosure, in whole or in part, of the design or details contained herein is prohibited without the express written permission of Ancaster Conveying Systems Inc.

SCALE: 1"=1"	DRAWN BY: G. T	<b>B-2278</b>
DATE: JULY/15/06	CHECKED:	
ISSUE	DATE	REVISION
BY		