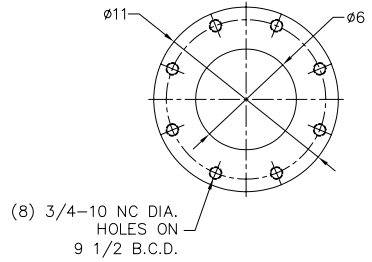
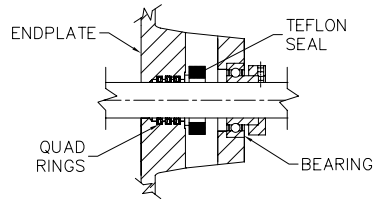


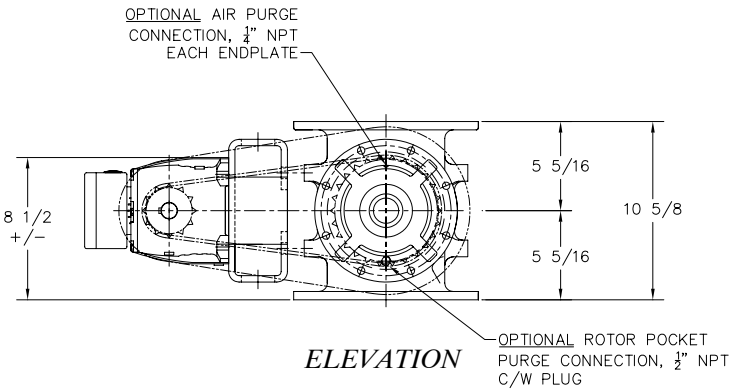
PLAN VIEW



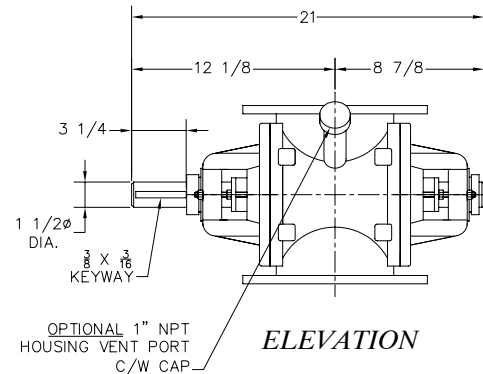
FLANGE DETAILS



ACST-4 SEAL DETAIL



ELEVATION



ELEVATION

VALVE INFORMATION					
HOUSING	ENDPLATE	ROTOR		BLADE TIP	
MAT'L	MAT'L	MAT'L	TYPE	MAT'L	CLEARANCE
C.I.	C.I.	MILD STEEL	FIXED EDGE	MILD STEEL	.004-.007

MOTOR						
MFG.	H.P.	VOLTAGE	ENCLOSURE	CL. & DIV.	FRAME SIZE	RPM
INLINE GEARMOTOR	1/2	TBA	TEFC	STD. EFF.	TBD	1800

REDUCER				
MFG.	FRAME	RATIO	SIZE	R.P.M.
INLINE GEARMOTOR	TBD	TBD	TBD	APPROX. 45

CHAIN DRIVE			VALVE OPERATING CONDITIONS		
SIZE	BORE	SIZE	BORE	TEMP.	SEALS
60B12	1"Ø	60B26	1 1/2Ø	AMBIENT	ACST-4

CONVEYING INFORMATION	
PRODUCT HANDLED	TO BE ADVISED
PRODUCT DENSITY	TO BE ADVISED
DISPLACEMENT / REV. 100%	.10 C.F.R.
VALVE SPEED	20 RPM
CONVEY RATE	TO BE ADVISED

NOTES

- ALL DIMENSIONS IN INCHES
- CONSTRUCTION: CAST GREY IRON HOUSING AND ENDPLATES (CL,40,217 BRNELL) FABRICATED MILD MILD STEEL ROTOR, OPEN END FIXED EDGE ROTOR TIPS - BEVELED TIPS (1/4" LAND) MACHINED TO CLOSE TOLERANCE. COUNTER CLOCKWISE ROTATION LOOKING AT THE DRIVE END.
- BOTTOM FLANGE BOLT PATTERN MATCHES TOP FLANGE
- PAINT: STANDARD METAL PREPARATION, EXTERIOR PRIMED AND PAINTED ONE COAT FINISH ENAMEL - ACS BLUE DRIVE GUARD IS HI-VISIBILITY SAFETY YELLOW, GEARMOTOR IS MANUFACTURES STANDARD FINISH
- ACST-4 SHAFT SEAL ASSEMBLY (SEE DETAIL)
- WEIGHT WITH DRIVE PACKAGE 250 LBS.
- INCLUDED OPTIONS
 - ENDPLATES: SHAFT SEAL ASSEMBLY AIR PURGE CONNECTION, 1/4" NPT
 - ENDPLATE: CAST GREY IRON CONSTRUCTION
 - ROTOR: FABRICATED MILD STEEL OPEN END
 - ROTOR: FIXED EDGE ROTOR TIPS - BEVELED
 - HOUSING: CAST GREY IRON CONSTRUCTION

ANCASTER CONVEYING SYSTEMS LTD.
 611 ARGYLE ST. N CALEDONIA ONTARIO N3W-1M1
 TEL. (905) 765-2004 FAX. (905) 765-4491

TITLE: ACS MODEL 6" M.D. ROTARY VALVE, GENERAL ARRANGEMENT
 FOR: GENERAL USE ONLY
 P.O.

SCALE: N.T.S.	DRAWN BY: G.T	B-2554	
DATE: FEB/06/08	CHECKED:		
ISSUE	DATE	REVISION	BY

Proprietary Information
 This drawing is the confidential property of Ancaster Conveying Systems Ltd. and transmitted in confidence. The reproduction, use or disclosure, in whole or in part, of the design or details contained herein is prohibited without the express written permission of Ancaster Conveying Systems Inc.