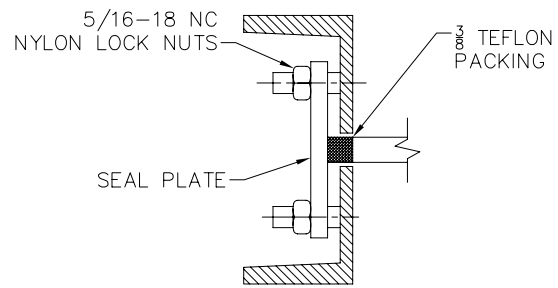


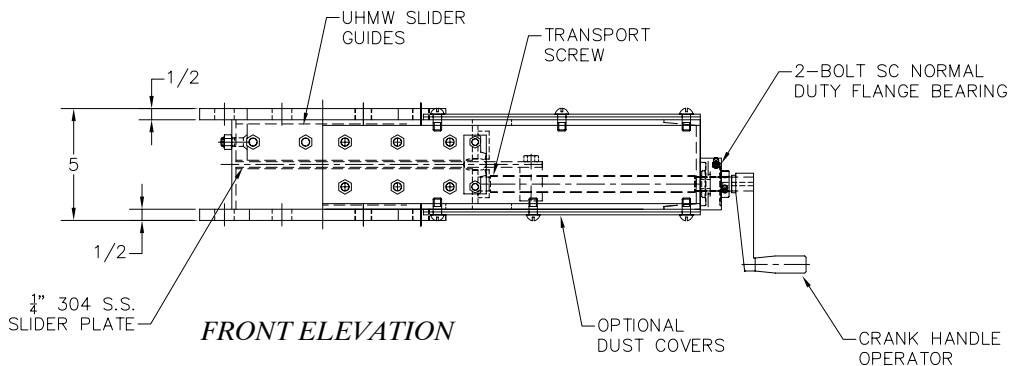
PLAN VIEW



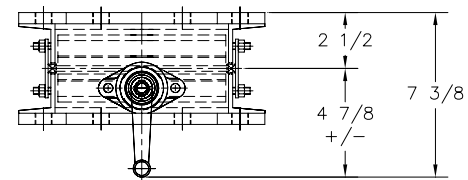
SECTION A-A

NOTES:

- ACS MSG-R 6" ROUND MSG-MD SLIDE GATE FEATURES INCLUDE:
- 6" DIA. ROUND INLET & OUTLET
 - 6" 150# FLANGED BOLT PATTERN
 - 6" CRANK HANDLE
 - MILD STEEL C-CHANNEL FRAME
 - UHMW SLIDER GUIDES FOR 250°F MAX. SERVICE
 - 1/4" STAINLESS STEEL SLIDER PLATE
 - OPTIONAL DUST COVERS
 - PAINT: PRIMED & PAINTED ONE COAT ACS BLUE
 - SHIPPING WEIGHT 90 LBS.



FRONT ELEVATION



SIDE ELEVATION

ANCASTER CONVEYING SYSTEMS LTD.
 611 ARGYLE ST. N CALEDONIA ONTARIO N3W-1M1
 TEL. (905) 765-2004 FAX. (905) 765-4491

TITLE: ACS MODEL MSG-R 6" MAINTENANCE SLIDE GATE, GENERAL ARRANGEMENT
 FOR: GENERAL USE ONLY
 P.O: N/A

A	NOV/03/08	PLATE MODIFICATION	GT	SCALE: N.T.S.	DRAWN BY: G.T	B-797
ISSUE	DATE	REVISION	BY	DATE: OCT/02/08	CHECKED:	

Proprietary Information
 This drawing is the confidential property of Ancaster Conveying Systems Ltd. and transmitted in confidence. The reproduction, use or disclosure, in whole or in part, of the design or details contained herein is prohibited without the express written permission of Ancaster Environmental Equipment Inc.