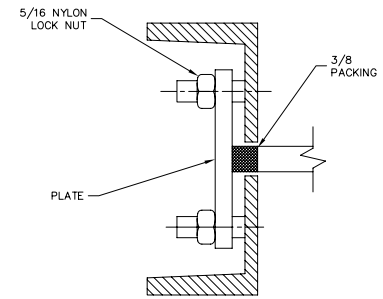


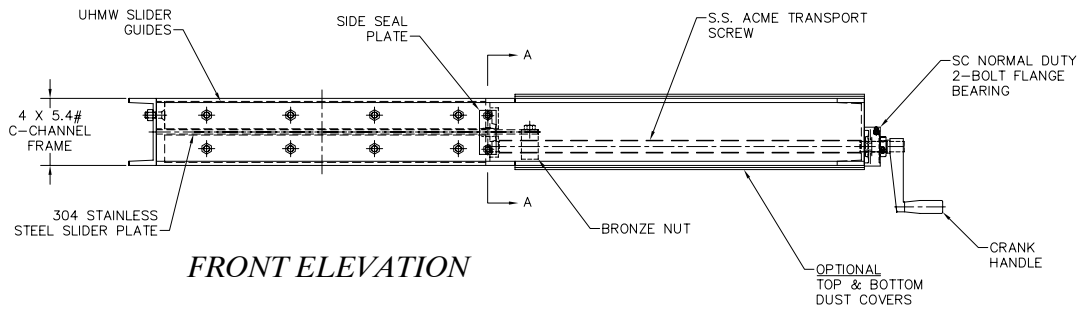
PLAN VIEW



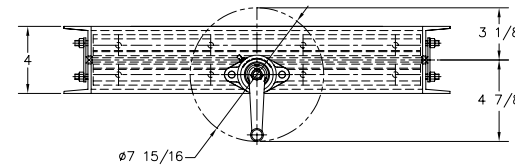
SECTION A-A

NOTES:

- ACS MSG-S 18" X 18" SQUARE MSG SLIDE GATE
 FEATURES INCLUDE:
 - 18 X 18
 - 18 X 18 FLANGED BOLT PATTERN
 - HAND CRANK OPERATOR
 - MILD STEEL C-CHANNEL FRAME
 - UHMW FOR 250 DEGREES C, OPTIONAL BRONZE LINERS FOR UP TO 450 C DEGREES
 - STAINLESS STEEL SLIDER PLATE
 - PAINT: PRIMED & PAINTED ONE COAT ACS BLUE
 - SHIPPING WEIGHT 105 LBS.



FRONT ELEVATION



SIDE ELEVATION

ANCASTER CONVEYING SYSTEMS LTD.
 611 ARGYLE ST. N CALEDONIA ONTARIO N3W-1M1
 TEL. (905) 765-2004 FAX. (905) 765-4491

TITLE: ACS MODEL 18" MSG-S SLIDE GATE (SQUARE) GENERAL ARRANGEMENT

FOR: GENERAL USE ONLY

P.O: N/A

SCALE: N.T.S.

DRAWN BY: G.T

DATE: MAR/06/08

CHECKED:

B-453

ISSUE	DATE	REVISION	BY

Proprietary Information
 This drawing is the confidential property of Ancaster Conveying Systems Ltd. and transmitted in confidence. The reproduction, use or disclosure, in whole or in part, of the design or details contained herein is prohibited without the express written permission of Ancaster Conveying Systems Inc.