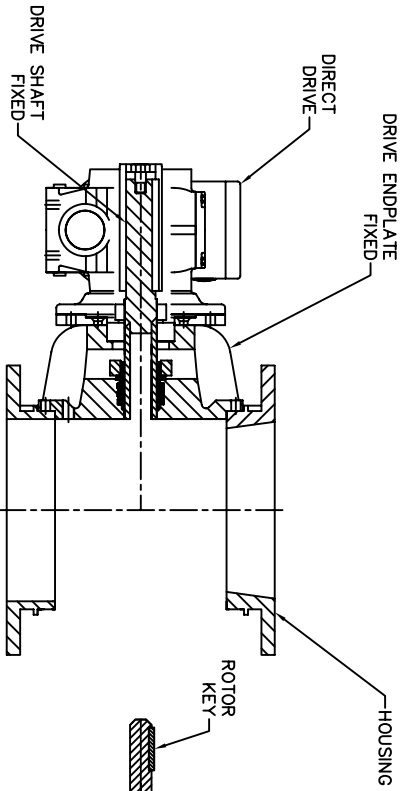
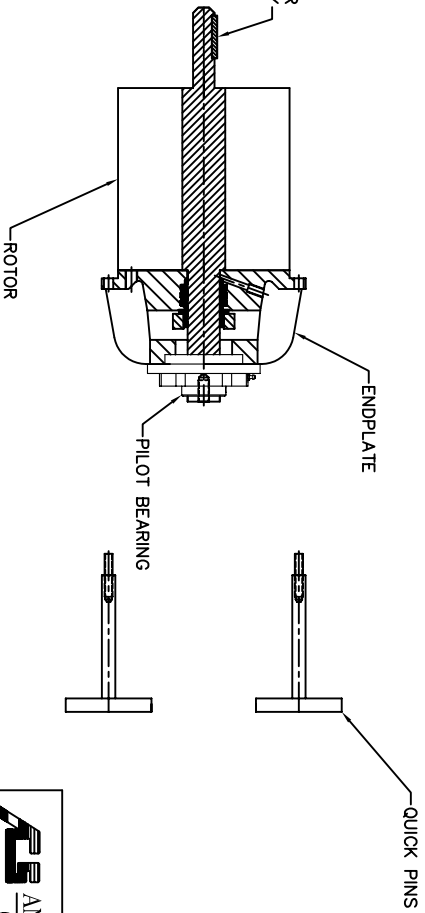


ASSEMBLED



DISASSEMBLED



QUICK CLEAN DISASSEMBLED PROCEDURE

- STEP 1# UNSURE THAT GEARMOTOR/DRIVE PACKAGE HAS BEEN COMPLETELY LOCKED OUT
- STEP 2# REMOVE QUICK HANDLES FROM ENDPLATE
- STEP 3# JACKING BOLTS LOCATED ON TAIL ENDPLATE, USE QUICK HANDLES TOP & BOTTOM TO POP ENDPLATE FREE OF HOUSING
- STEP 4# GENTLY PULL ROTOR & ENDPLATE FROM HOUSING, CAUTION ROTOR IS NOT SUPPORTED & MAY REQUIRE HOIST OR FORK LIFT FOR ASSISTANCE

QUICK CLEAN REASSEMBLE PROCEDURE

- STEP 1# GENTLY PUSH ROTOR & ENDPLATE BACK INTO HOUSING, UNTIL ENDPLATE SITS FLUSH WITH HOUSING
- STEP 2# PUT CRANK HANDLES BACK INTO ORIGINAL POSITIONS & TIGHTEN TILL SNUG

Proprietary Information
 This drawing is the confidential and proprietary information of Ancaster Conveying Systems Ltd. The reproduction, use or disclosure, in whole or in part, of this drawing, without the written consent of Ancaster Conveying Systems Ltd. is prohibited.

ISSUE	DATE	REVISION	BY	SCALE: N.T.S.	DRAWN BY: G.T	CHECKED:
				DATE: APR/15/08		

B-3368

ACS ANCASTER CONVEYING SYSTEMS LTD.
 611 ARGYLE ST. N. CALEDONIA ONTARIO N3W-1M1
 TEL. (905) 765-2004 FAX. (905) 765-4491

TITLE: ACS MODEL C.I. & M.D. QUICK CLEAN ASSEMBLY INSTRUCTIONS
 FOR GENERAL USE ONLY
 P.O. N/A