



611 Argyle St. N. Caledonia, Ontario N3W 1M1

TEL: (800) 655-3447

FAX: (800) 955-4991

Email: sales@acsvalves.com

Website: www.acsvalves.com



MD Series Rotary Airlock Valve

Drop-Thru Feeder/ Airlock

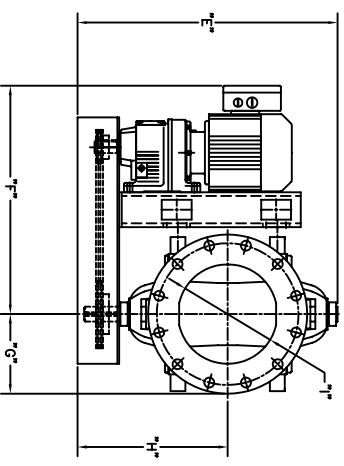
Features

- Available in 6 sizes
- Dependable effective design
- Heavy duty rugged construction
- Precision machining of components
- Unique shaft seal design
- Pressure differentials up to 15 psig
- 150 # Round flanges
- High temperature options up to 750^o F
- Available in cast iron, 304 SS and 316 SS
- Standard 8-vane rotor design comes complete with beveled tips and sides, option 6-vane available

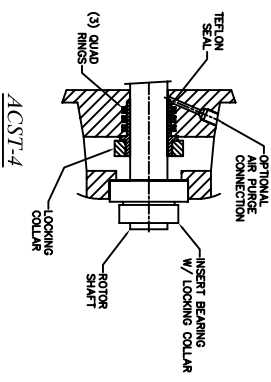
Options

- ACST-4 shaft seal or ACS Packing gland shaft seals available
- Housing vent ports
- Surge hoppers, blow through adapters, shear plate deflectors
- Rotor options: closed end, metering style, shallow pocket, adjustable tips, teflon coated
- Adjustable rotor tips available in EPDM, hardened steel, stainless steel, bronze, polyurethane
- Interior coating options: hard chrome, tungsten, and teflon
- Shaft seal and rotor pocket air purge
- Special drive packages
- Motion speed switch assemblies

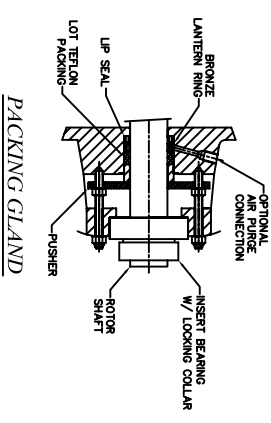
ITEM	A	B	C	D	E	F	G	H	I	J	K	L	M	N	O	P	Q	R	S	T (KEYWAY)	C.F.R.	WEIGHTS
MD 4	7 3/8	3 11/16	9 5/16	3/8	17 11/16	14 5/8	4 1/2	9 3/8	40	7 1/2	N/A	90	8	5/8-11 NC	14 3/4	8 1/2	6 1/4	2 1/4	10	1/4 X 1/8	025	175 lbs.
MD 6	10 5/8	5 5/16	8 1/2	1/2	21 5/16	17 15/16	5 1/2	13 1/16	60	9 1/2	N/A	110	8	3/4-10 NC	21	12 1/8	8 7/8	3 1/4	1 1/20	3/8 X 3/16	.10	250 lbs.
MD 8	12 1/2	6 1/4	9 7/16	5/8	23 11/16	19 5/16	6 3/4	13 15/16	80	11 3/4	N/A	13 1/20	8	3/4-10 NC	23	13 1/4	9 3/4	3 1/4	1 1/20	3/8 X 3/16	.20	315 lbs.
MD 10	15	7 1/2	11 3/8	3/4	26 1/8	22 15/16	8	15 1/16	100	14 1/4	N/A	160	12	1 1/80	25	14 1/4	10 3/4	3 1/4	1 1/20	3/8 X 3/16	.40	400 lbs.
MD 12	18 3/8	9 3/16	13	3/4	28 7/16	23 11/16	9 1/2	16 5/16	120	17	N/A	190	12	1 1/80	27 3/4	15 5/8	12 7/8	3 1/4	1 1/20	3/8 X 3/16	.75	650 lbs.
MD 14	20 1/2	10 1/4	14 1/4	1	31 7/16	24 13/16	10 1/2	17 15/16	140	18 3/4	N/A	210	12	1 1/80	30 1/4	16 3/4	13 1/2	3 1/4	1 15/160	1/2 X 1/4	1.10	850 lbs.
MD 16	23	11 1/2	15 1/2	1	33 1/16	26 3/16	11 3/4	18 9/16	150	21 1/4	N/A	23 1/2	16	1 1/80	32	17 1/2	14 1/2	3 1/4	1 15/160	1/2 X 1/4	1.40	900 lbs.



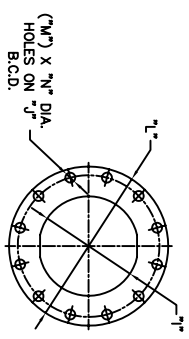
PLAN VIEW



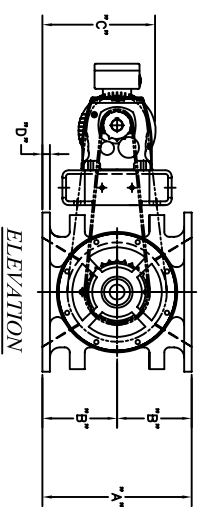
SHAFT SEAL ASSEMBLY OPTIONS



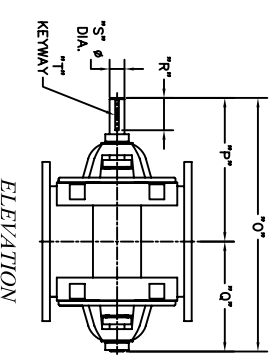
PACKING GLAND



FLANGE DETAIL



ELEVATION



ELEVATION

Proprietary Information
 This drawing is the confidential property of Ancaster Conveying Systems Ltd. The reproduction, use or disclosure of this drawing, or any part thereof, without the written consent of Ancaster Conveying Systems Ltd. is prohibited.

ISSUE	DATE	REVISION	BY
<p>ANCASTER CONVEYING SYSTEMS LTD. 611 ARGYLE ST. N. CALEDONIA, ONTARIO, N3M-1M1 TEL. (905) 765-2004 FAX. (905) 765-4491</p>			
<p>TITLE: AOS MODEL C.I. SERIES ROTARY VALVES, ALL SIZES, GENERAL ARRANGEMENT</p>			
<p>FOR GENERAL USE ONLY</p>			
<p>P.O. N/A</p>			
SCALE: N.T.S.	DRAWN BY: G.T.		
DATE: SEPT/23/08	CHECKED:	B-2240	